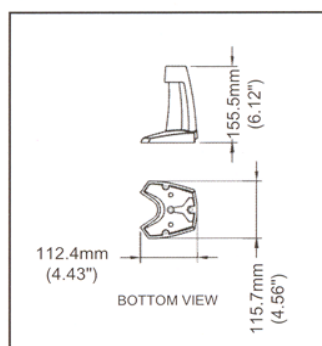
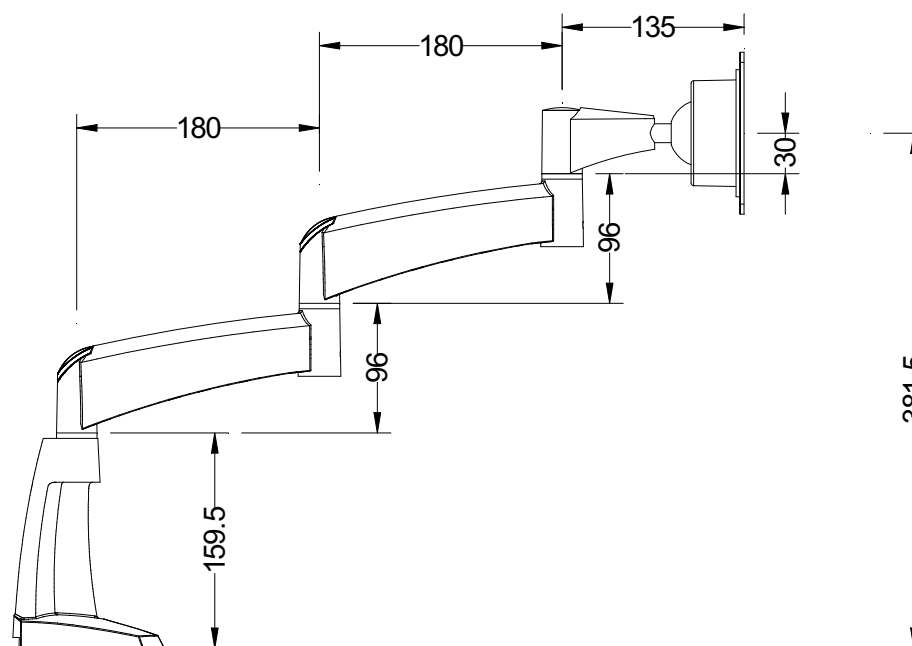
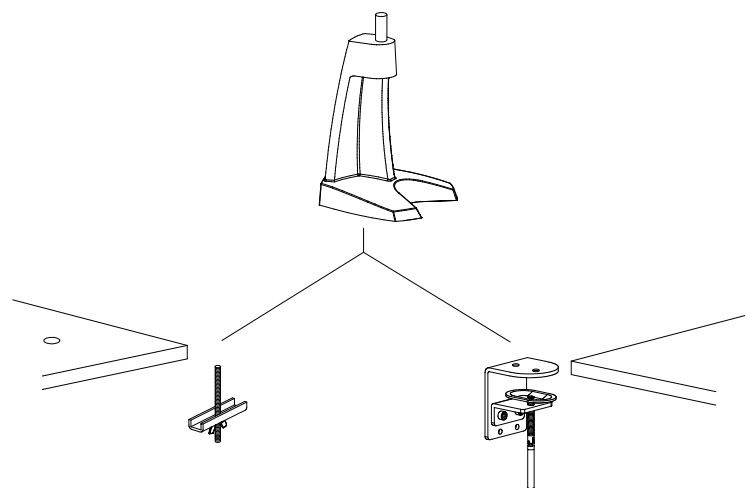


DATA-INFO

53.522

Dataflex®
is a registered
trademark of
DATAFLEX
INTERNATIONAL BV
P.O. Box 713
NL-2920 CA
Krimpen a/d



Dimensions in mm Afmetingen in mm Abmessungen in mm Dimensions en mm