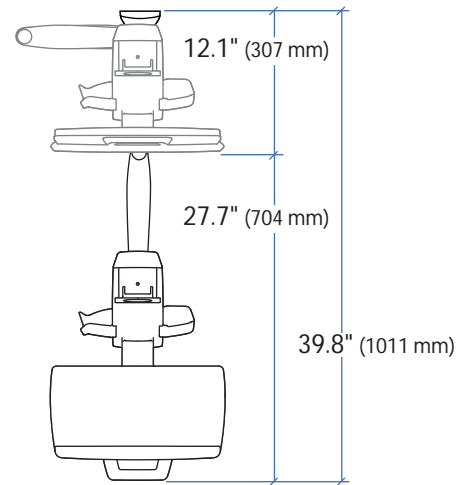
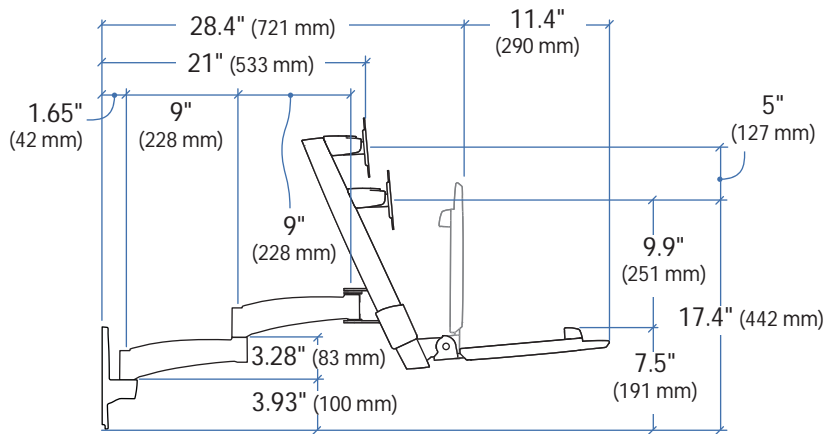
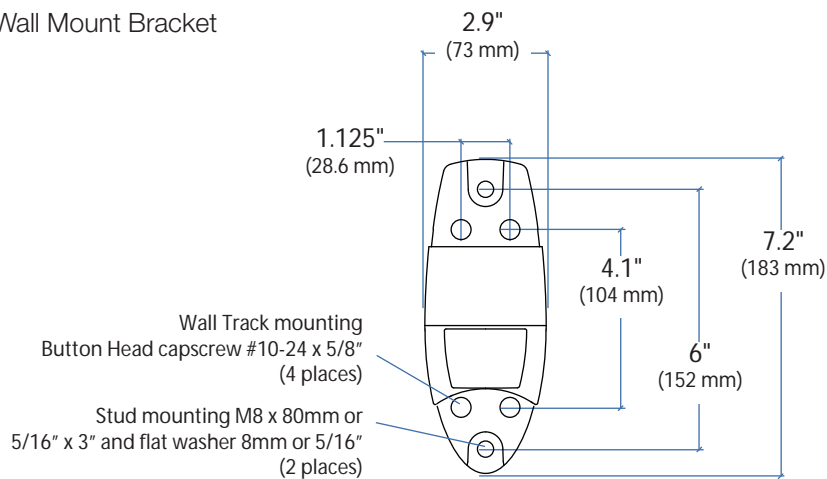


### Combo Arm

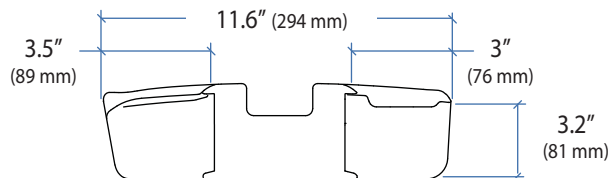


Top View

### Wall Mount Bracket



### Mouse/Scanner Holder



Top View

© 2009 Ergotron, Inc. rev. 1/29/2009 DIM-200 Combo Content is subject to change without notification

#### Americas Sales and Corporate Headquarters

St. Paul, MN USA  
(800) 888-8458  
+1-651-681-7600  
www.ergotron.com  
sales@ergotron.com

#### EMEA Sales

Amersfoort, The Netherlands  
+31 33 45 45 600  
www.ergotron.com  
info.eu@ergotron.com

#### APAC Sales

Tokyo, Japan  
www.ergotron.com  
info.apac@ergotron.com

#### Worldwide OEM Sales

www.ergotron.com  
info.oem@ergotron.com

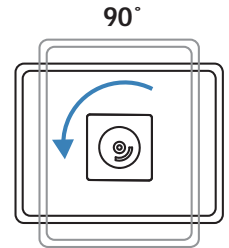
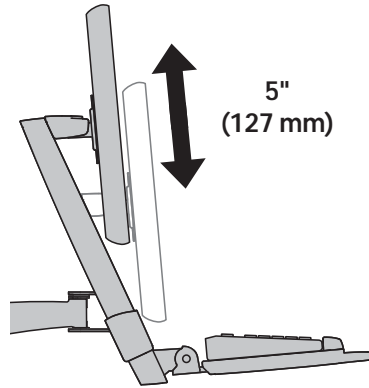
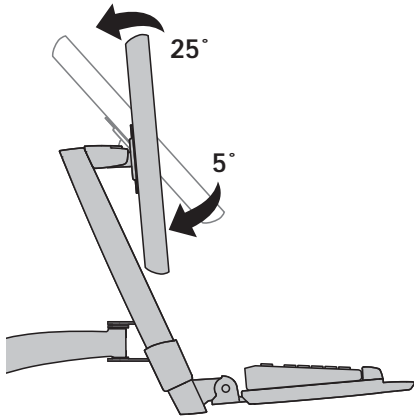


# Ergotron® 200 Series

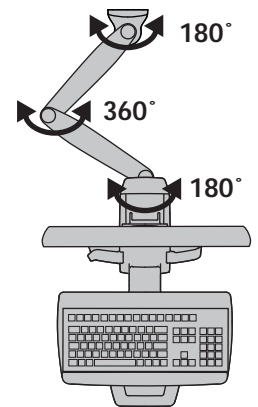
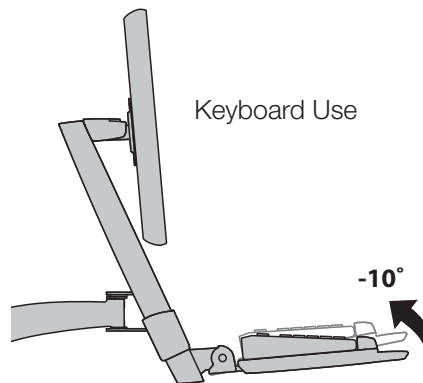
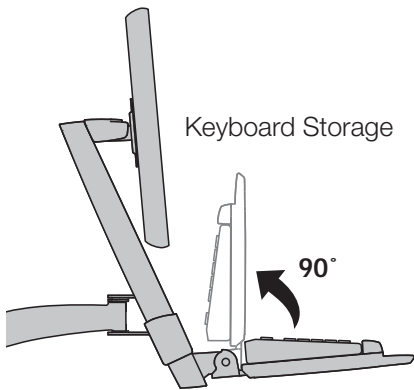
Dimensional Illustrations

## Combo Arm

### Range of Motion

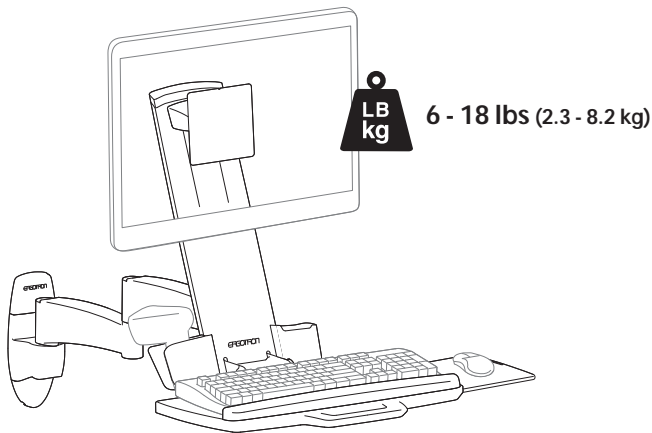


Front View



Top View

### Maximum Weight Capacity



© 2009 Ergotron, Inc. rev. 1/29/2009 DIM-200 Combo Content is subject to change without notification

#### Americas Sales and Corporate Headquarters

St. Paul, MN USA  
(800) 888-8458  
+1-651-681-7600  
www.ergotron.com  
sales@ergotron.com

#### EMEA Sales

Amersfoort, The Netherlands  
+31 33 45 45 600  
www.ergotron.com  
info.eu@ergotron.com

#### APAC Sales

Tokyo, Japan  
www.ergotron.com  
info.apac@ergotron.com

#### Worldwide OEM Sales

www.ergotron.com  
info.oem@ergotron.com

