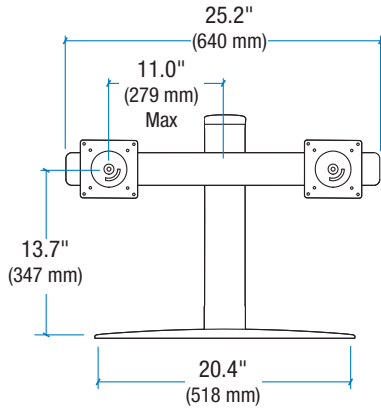


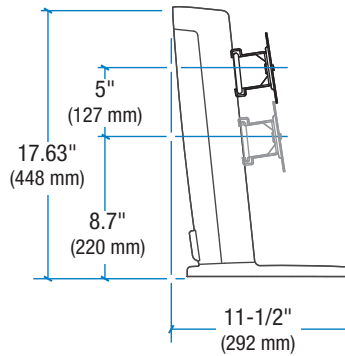
# Ergotron® Neo-Flex™

Dimensional &  
Range of Motion  
Illustrations

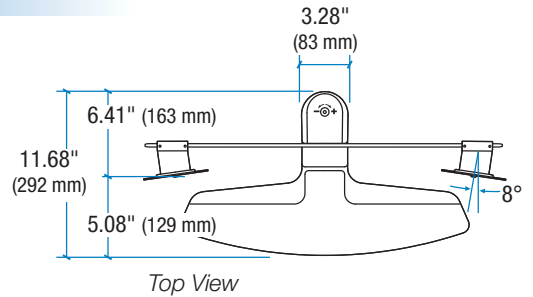
## Neo-Flex Dual Display Lift Stand: 33-330-085



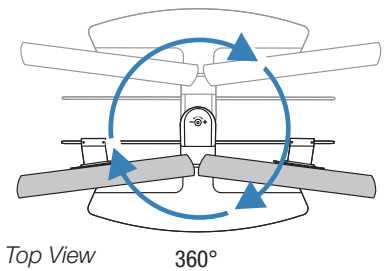
Front View



Side View

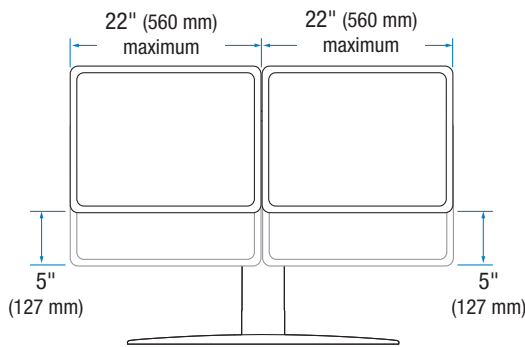


Top View

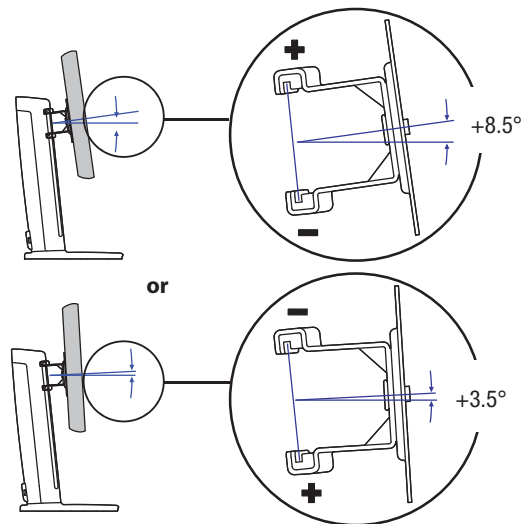


Top View

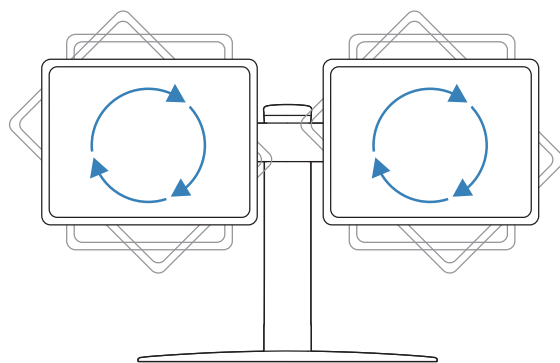
360°



Front View



or



Front View

Portrait / Landscape Feature can also be fixed at 0° Rotation.  
Note: Display width can interfere with display rotation

© 2010 Ergotron, Inc. rev. 12/08/2010 DIM-074-B Content is subject to change without notification

### Americas Sales and Corporate Headquarters

St. Paul, MN USA  
(800) 888-8458  
+1-651-681-7600  
www.ergotron.com  
sales@ergotron.com

### EMEA Sales

Amersfoort, The Netherlands  
+31 33 45 45 600  
www.ergotron.com  
info.eu@ergotron.com

### APAC Sales

Tokyo, Japan  
www.ergotron.com  
apaccustomerservice@ergotron.com

### Worldwide OEM Sales

www.ergotron.com  
info.oem@ergotron.com

