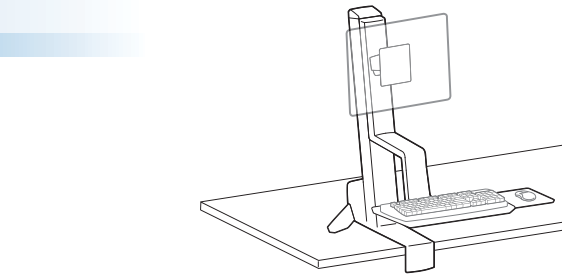
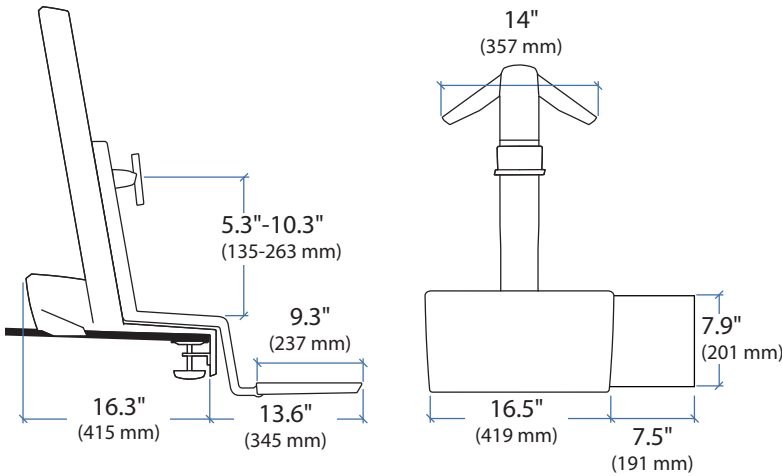


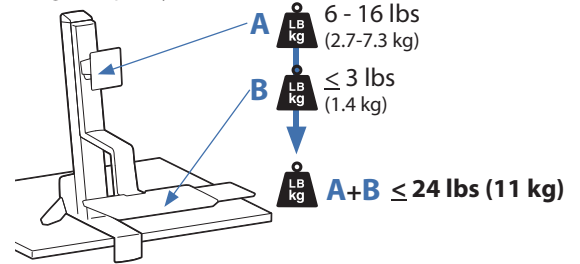
Ergotron®

WorkFit-S, Single LCD Mount, LD

Dimensional & Range of Motion Illustrations

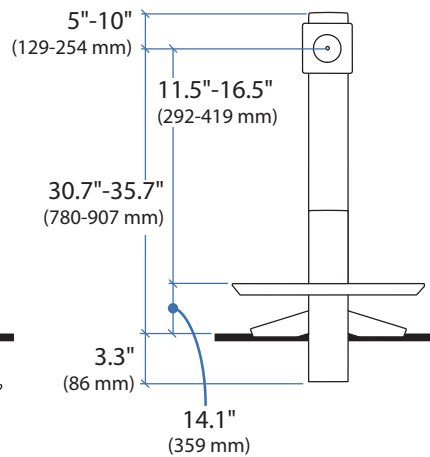
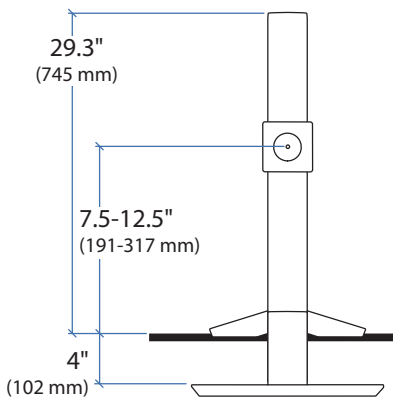


Weight Capacity:

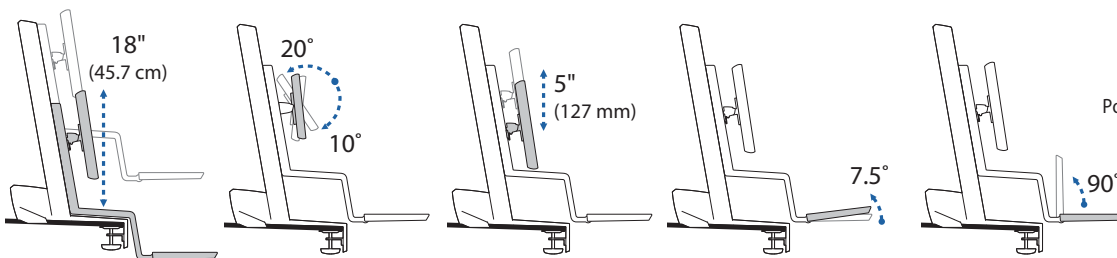
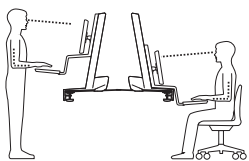
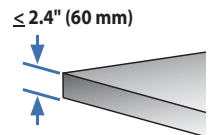


Lowest Position

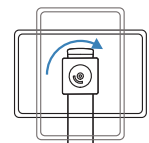
Highest Position



Desk Thickness:

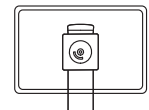


360°



Portrait/Landscape rotation stop screw can be installed for 0° rotation.

0°



© 2010 Ergotron, Inc. rev. 11/01/2010 DIM-WorkFit-S Content is subject to change without notification

Americas Sales and Corporate Headquarters

St. Paul, MN USA
 (800) 888-8458
 +1-651-681-7600
 www.ergotron.com
 sales@ergotron.com

EMEA Sales

Amersfoort, The Netherlands
 +31 33 45 45 600
 www.ergotron.com
 info.eu@ergotron.com

APAC Sales

Tokyo, Japan
 www.ergotron.com
 apaccustomerservice@ergotron.com

Worldwide OEM Sales

www.ergotron.com
 info.oem@ergotron.com

