

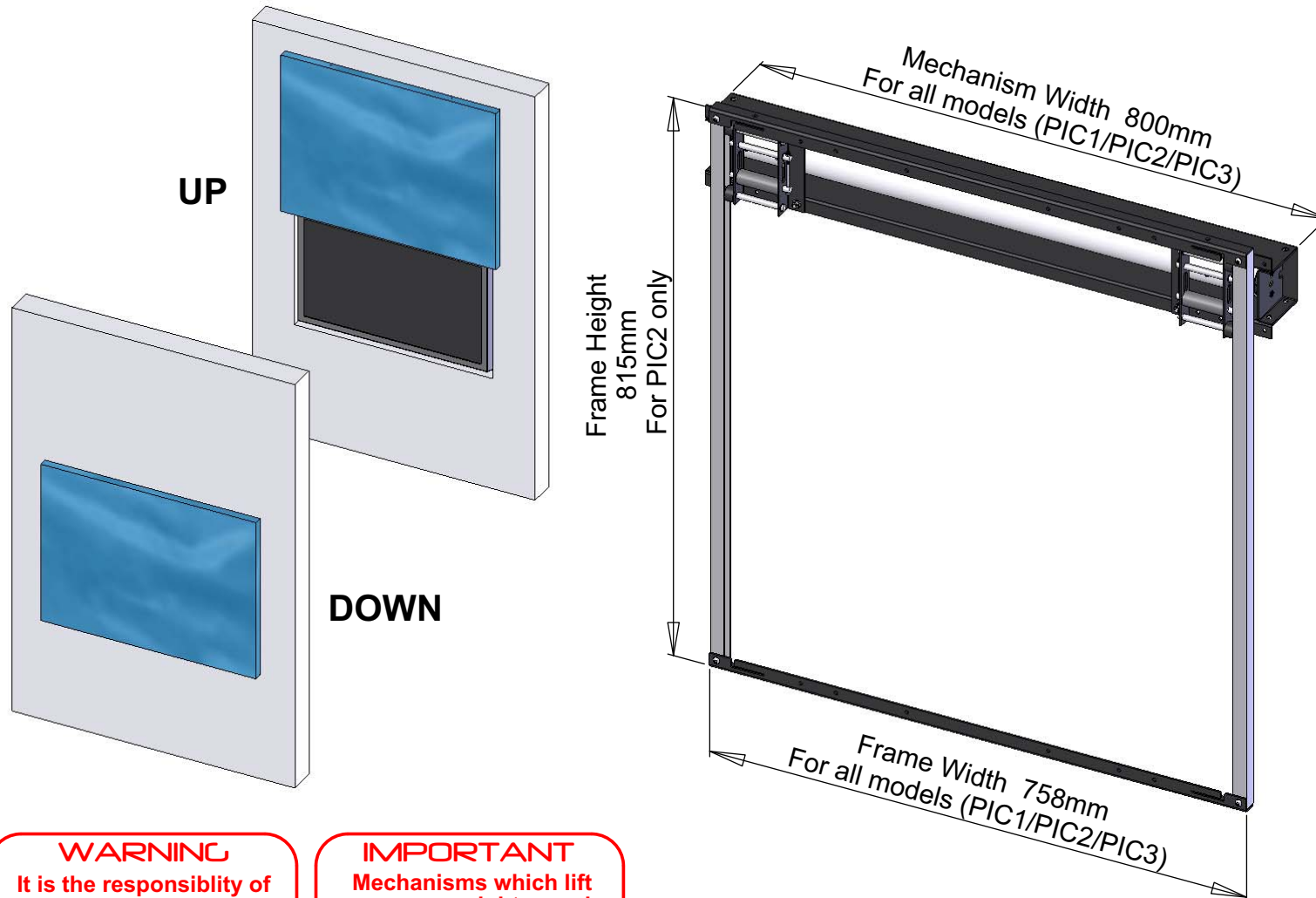
PIC Picture Lift Mechanism

Technical Sheet

Sheet 1 of 2
ISSUE: 003
www.futureautomation.co.uk



Available in three height sizes;
the PIC 2 model shown, the shorter PIC 1 and the taller PIC 3.



FUNCTION

A remote controlled electric mechanism that enables a picture to be used to hide a flat screen television.

SUITABILITY

Suitable for screens of around 26" upwards. The screen and the mechanism need to be recessed into the wall.

A lightweight picture such as a canvas frame is required.

SPECIFYING

Check that there is enough height above the screen to move the picture up. The mechanism can also be put below the screen to drop the picture down below the screen.

CONTROL

Supplied with basic infrared remote. Can be learnt by many learning remotes.

Also has switch control so can be operated by relays, switches, Crestron/AMX or Lutron systems.

WARNING

It is the responsibility of the installer to warn all potential end users of the dangers of interfering with mechanisms during operation

IMPORTANT

Mechanisms which lift or move weights need to be checked on a yearly basis for any damage which may result in an accident



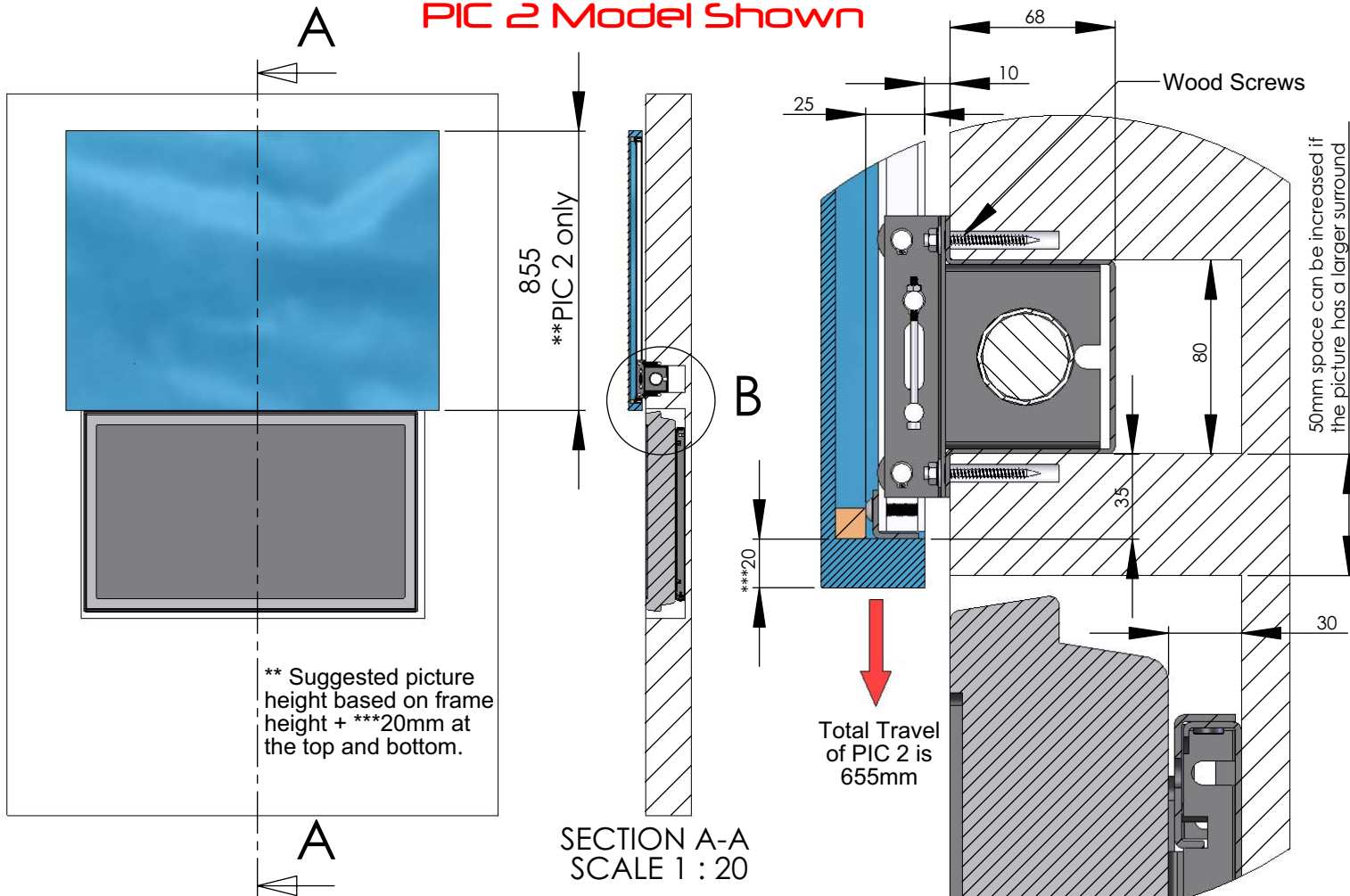
FUTUREAUTOMATION

PIC Picture Lift Mechanism Technical Sheet

Sheet 2 of 2
ISSUE: 003
www.futureautomation.co.uk



PIC 2 Model Shown



NOTE

The screen should be mounted in a recess with between 5 - 50mm clearance around it depending on what ventilation is provided.

Plasma is shown left mounted on a 30mm deep flush bracket (FA - PFA).

Control & Signal

A control box, 220mm x 130mm x 50mm, needs to be located in an easily accessible location.

A four core mains cable from the control box to the mechanism is required.

A 1500mm long infrared lead is connected to the control box.

Picture Panel

The PIC Mechanism can lift 10kg max.

Although custom designs can be made to lift more. All custom designs come at extra costs and longer lead times.

MODEL	FRAME HEIGHT	TOTAL TRAVEL
PIC 1	695mm	535mm
PIC 2	815mm	655mm
PIC 3	900mm	740mm
PIC Custom	Custom Height	Custom H - 160mm



FUTUREAUTOMATION