

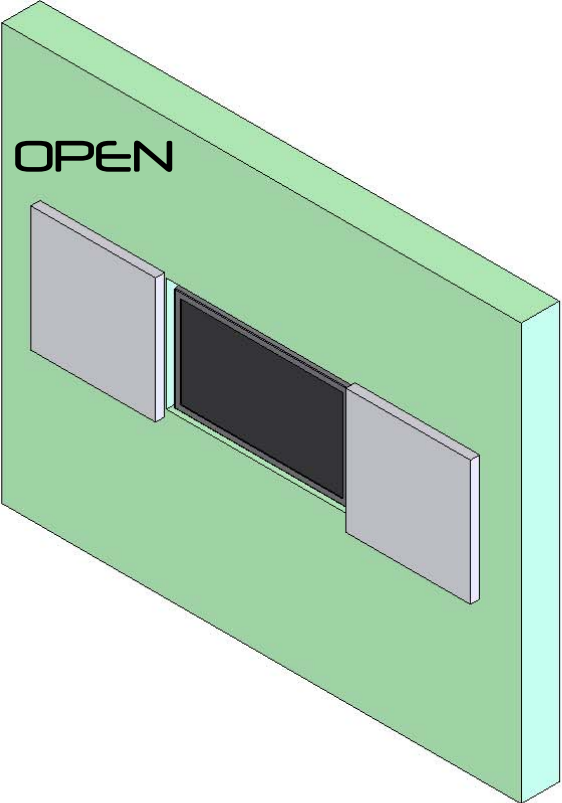
# PIC-S 42 Picture Split Device

## Technical Sheet

Sheet 1 of 4  
 ISSUE: 003  
[www.futureautomation.co.uk](http://www.futureautomation.co.uk)

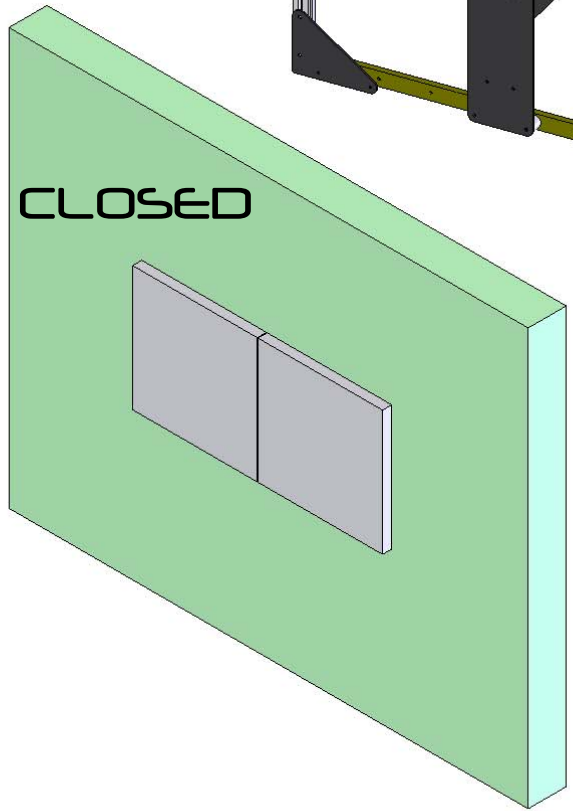
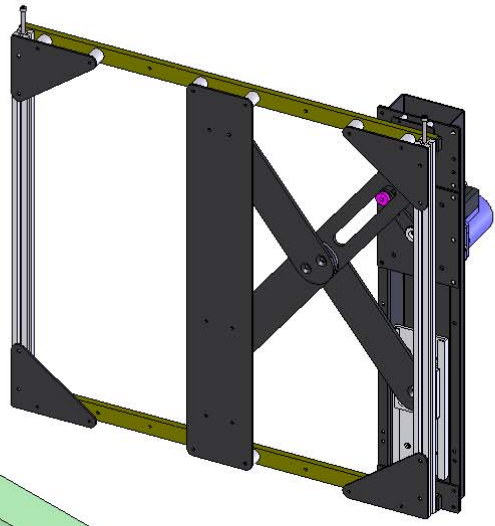


42" VERSION SHOWN, A LARGER 50" VERSION IS ALSO AVAILABLE.



**OPEN**

Mechanisms supplied as a pair



**CLOSED**

**FUNCTION**  
 This mechanism will open two panels to reveal a screen behind.

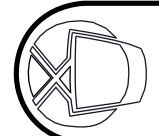
**SUITABILITY**  
 This technical sheet is for the smaller version of the mechanism. It is suitable for screens up to 43". See recess size for restrictions.

**SPECIFYING**  
 This mechanism requires the screen to be recessed into the wall. The mechanisms will also be recessed.

**CONTROL**  
 Supplied with basic infrared remote control. Can be learnt by many learning remotes.  
 Also has switch control so can be operated by relays, switches, Creston/AMX or Lutron systems.

**WARNING**  
 It is the responsibility of the installer to warn all potential end users of the dangers of interfering with mechanisms during operation

**IMPORTANT**  
 Mechanisms which lift or move weights need to be checked on a yearly basis for any damage which may result in an accident

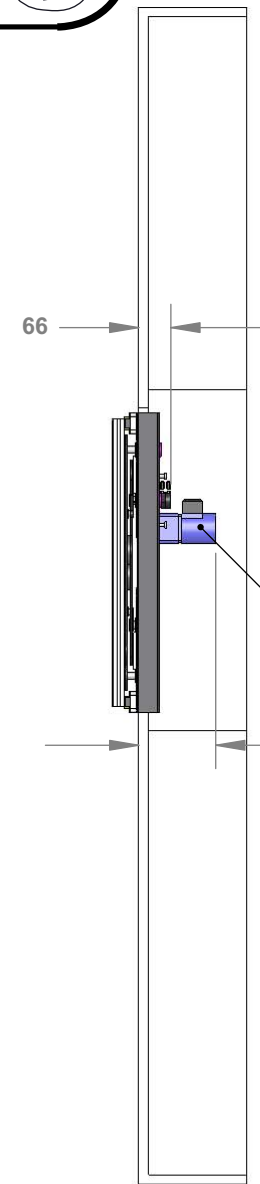
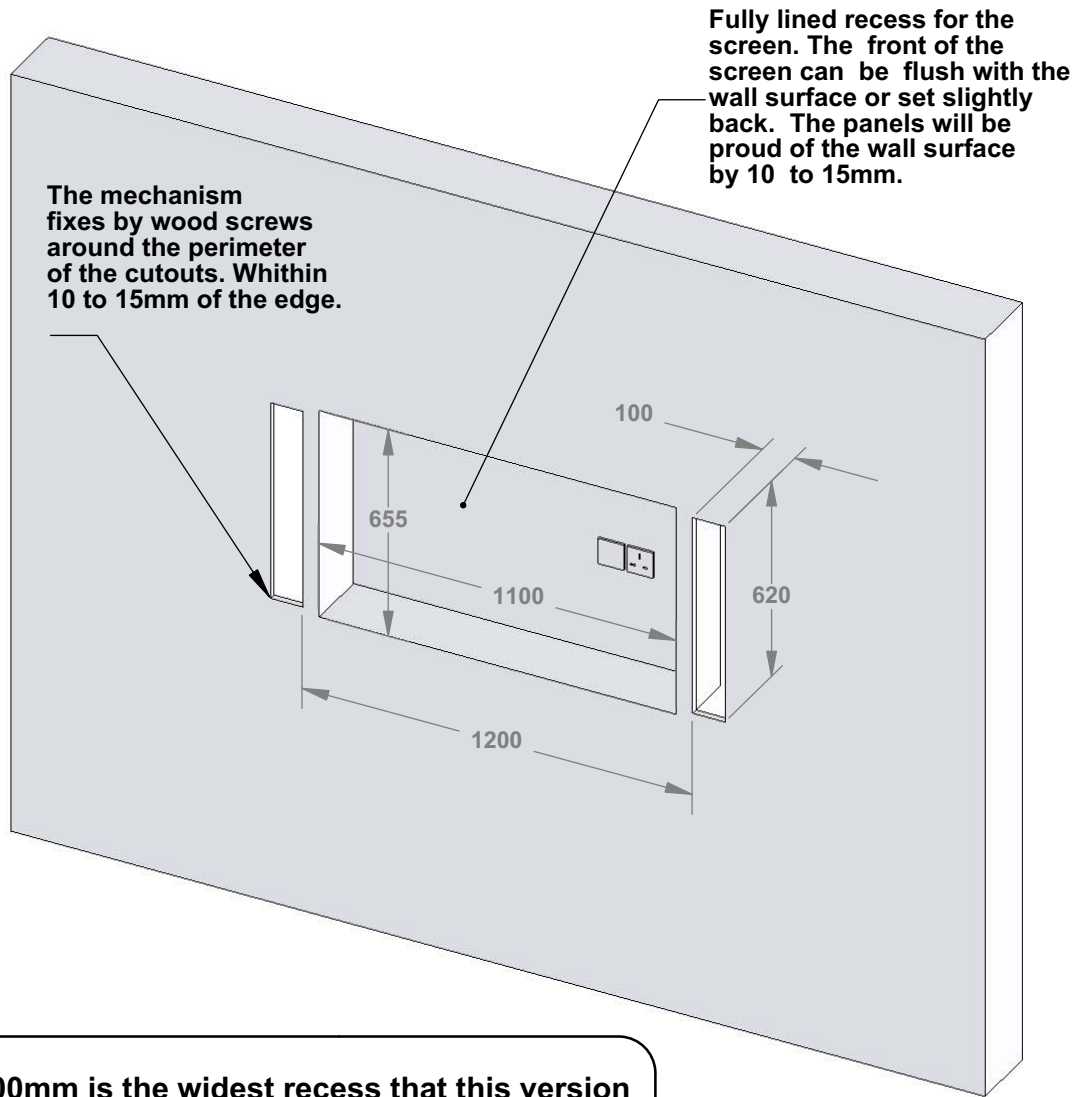


# FUTUREAUTOMATION

# PIC-S 42 Picture Split Device

## Technical Sheet

Sheet 2 of 4  
 ISSUE: 003  
[www.futureautomation.co.uk](http://www.futureautomation.co.uk)



**CABLES**

During installation there will be a need to run cables between the two outer recesses and a suitable storage location for the control box (200mm x 52mm x 150mm).

The control box will need to be plugged into a free 13amp plug socket. An infrared receiver on a 1.5m lead is also plugged into this box.

Once installed the majority of the mechanism is 66mm deep from the wall surface.

The motor requires a depth of 157mm+ on each of the mechanisms.

The screen recess would be a similar depth if a plasma swivel bracket was used as a mounting and access solution.

1100mm is the widest recess that this version of the mechanism can cover. This dimension can be reduced for small recesses but not increased.



# FUTUREAUTOMATION

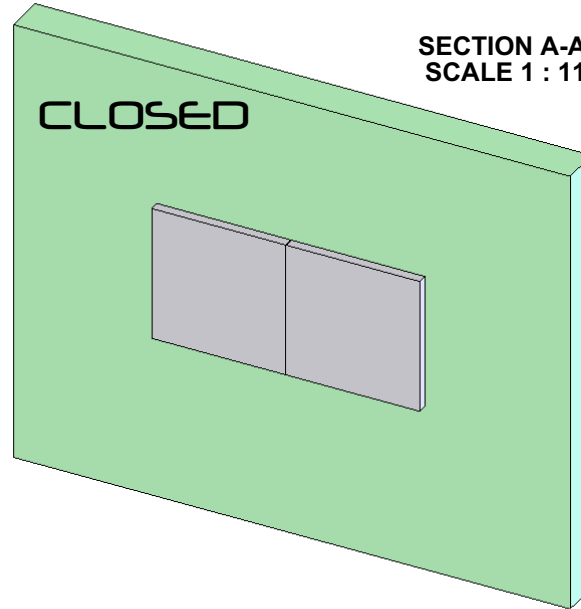
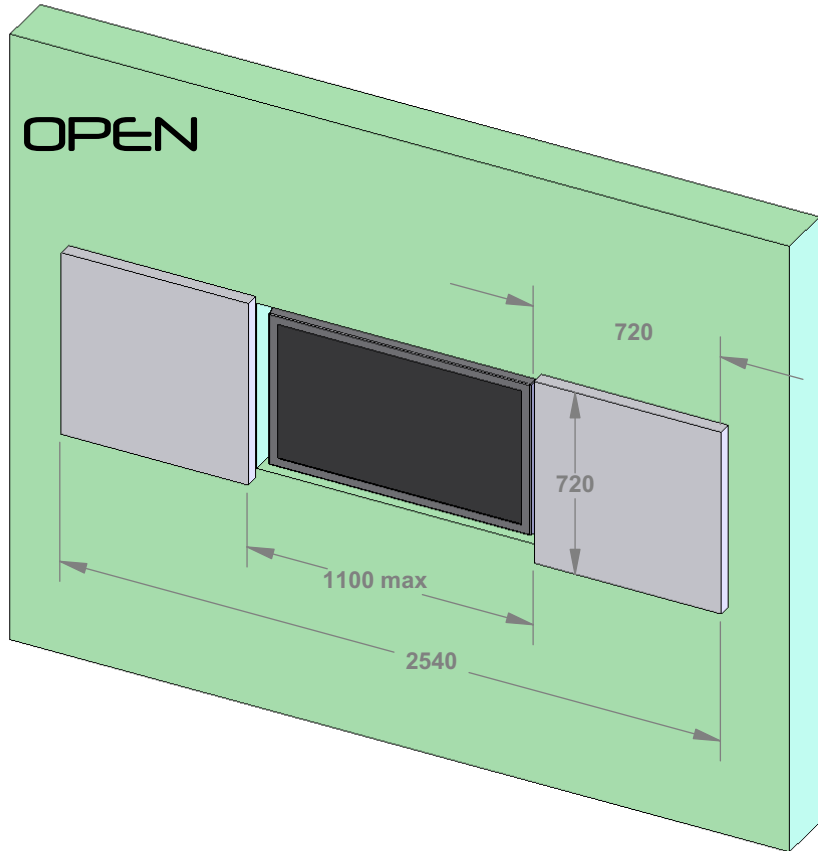
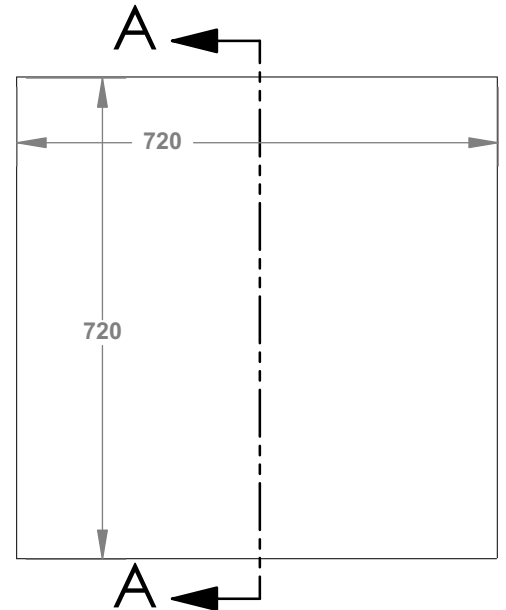
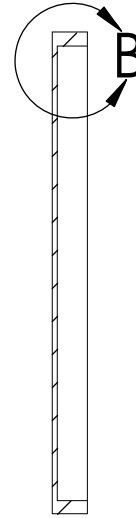
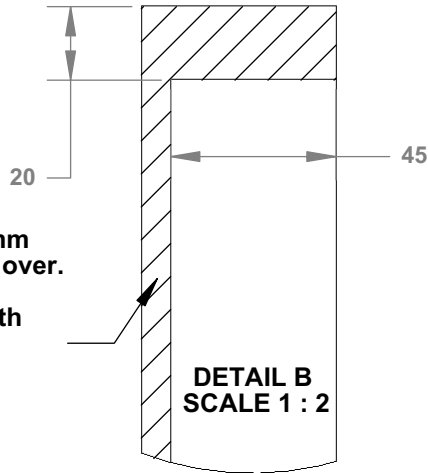


### Panel Details

These are suggested dimensions for the panel. The most important dimension is the 45mm internal depth so that the panel covers the mechanism.

This could be a 6mm panel with canvas over.

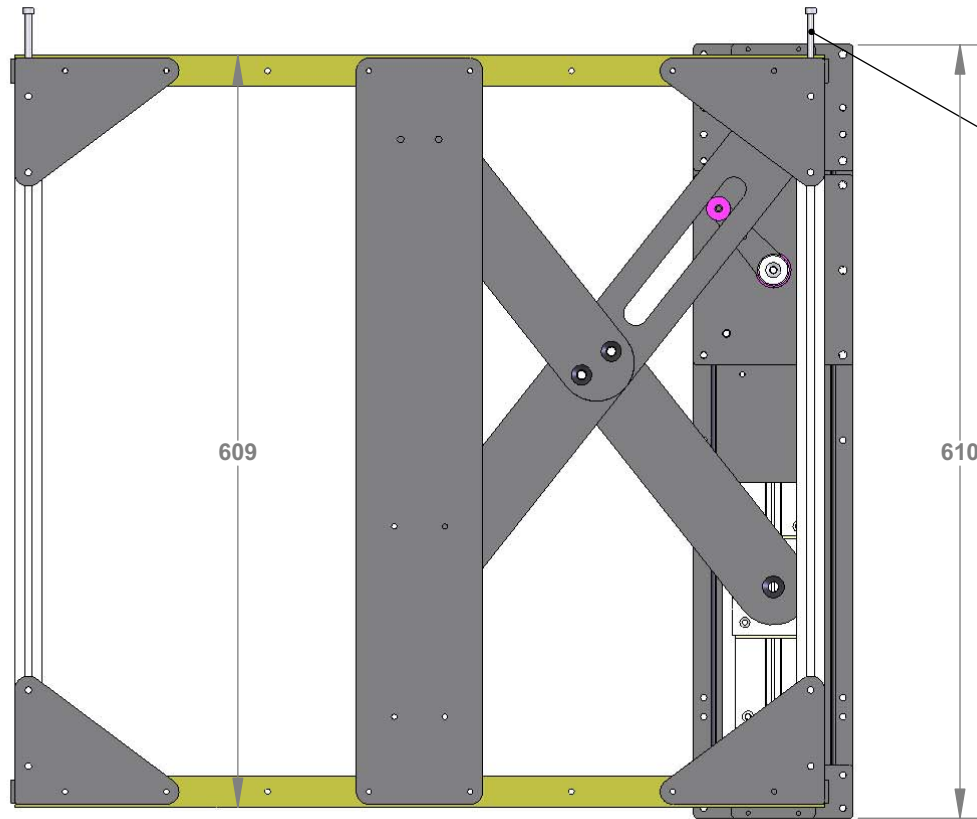
This could help with strengthening.



# PIC-S 42 Picture Split Device

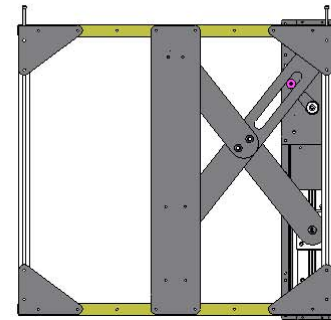
Technical Sheet

Sheet 4 of 4  
ISSUE: 003  
www.futureautomation.co.uk

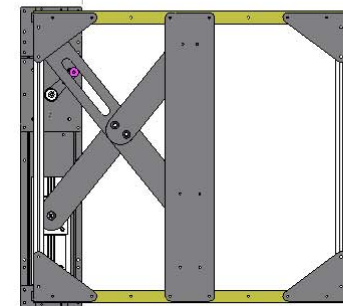


Panel hooks on to two bolts. The height of the bolts can be adjusted to level the panels.

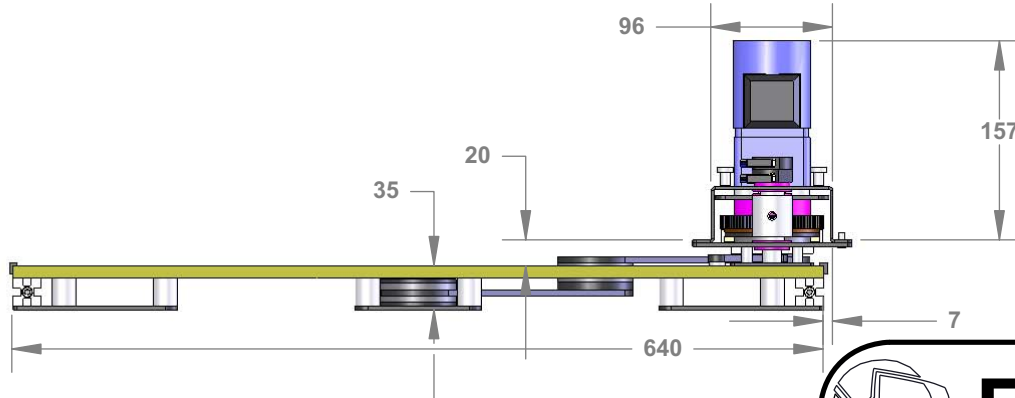
Mechanism moves from here:



To here:



550 MAX TRAVEL



# FUTUREAUTOMATION