

LCD Ceiling Mount

For 13" to 29" (33-73 cm) LCD Screens



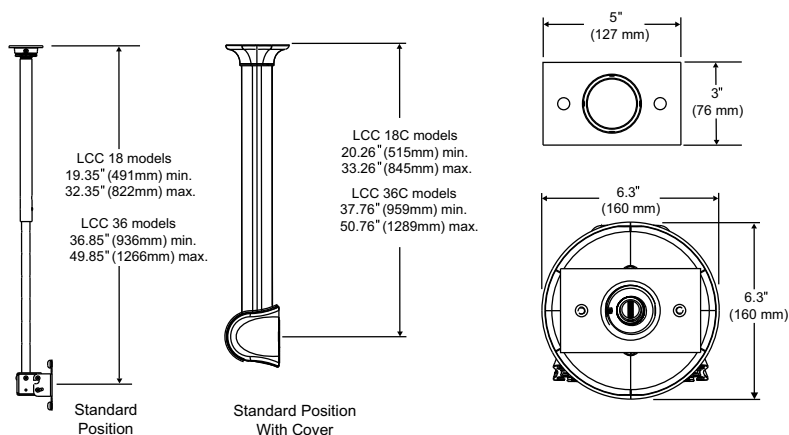
FLAT PANEL MOUNTS

1. VESA® 75 and 100 compliant
2. Non-VESA® screen adapter plates also available
3. Cable management cover models available for a clean look
4. Adjustable height in 1" (25 mm) increments: 19.35"-32.35" (491-821 mm) LCC-18 models or 36.85"-49.85" (935-1266 mm) LCC-36 models
5. +20/-5° tilt
6. 3/4" (19 mm) extension pipe for low-profile appearance
7. Portrait or landscape orientation
8. Mounts in standard or face-down screen position
9. Includes adapter to 1 1/2" (38 mm) NPT pipe



For expanded product information and technical data visit www.peerlessmounts.com

TECHNICAL DRAWINGS



MODELS

Universal Models:

Includes theft resistant hardware for attaching screen to mount

LCC-18	Black
LCC-18S	Silver
LCC-36	Black
LCC-36S	Silver

Universal Models with Cable Management Covers:

Includes theft resistant hardware for attaching screen to mount

LCC-18-C	Black
LCC-18-CS	Silver
LCC-36-C	Black
LCC-36-CS	Silver




SCREEN ADAPTER



VESA® pattern

Universal Models: 75 and 100 mm

SPECIFICATIONS

	Distance from ceiling	LCC-18(S): 19.35"-32.35" (491-821 mm) LCC-18-C(S): 20.26"-33.26" (514-844 mm) LCC-36(S): 36.85"-49.85" (935-1266 mm) LCC-36-C(S): 37.76"-50.76" (959-1289 mm)
	Tilt Swivel	+20/-5° 360°
	Max load	40 lb (18 kg)
	Product Dimensions (W x H x D)	LCC-18(S): 5" x 19.35"-32.35" x 3" (127 x 491-821 x 76 mm) LCC-18-C(S): 6.33" x 20.26"-33.26" x 6.33" (161 x 514-844 x 161 mm) LCC-36(S): 5" x 36.85"-49.85" x 3" (127 x 936-1266 x 76 mm) LCC-36-C(S): 6.33" x 37.76"-50.76" x 6.33" (161 x 959-1289 x 161 mm)
	Mounting Surfaces	Wood stud, concrete and various other applications (Requires accessory)
	Ship Weight	LCC-18(S): 4.6 lb (2.1 kg) LCC-18-C(S): 7.3 lb (3.3 kg) LCC-36(S): 6.2 lb (2.8 kg) LCC-36-C(S): 10.6 lb (4.8 kg)

ACCESSORIES



ACC, CMJ, DCS, DCT Models:
Ceiling Plates pg# 121-124



ADJ, EXT Models:
Ceiling Extensions pg# 123

To verify mount compatibility with any LCD, plasma or projector model use MountFinder™ at www.peerlessmounts.com



CLICK: www.peerlessmounts.com



CALL: 800.865.2112



FAX: 708.865.2941