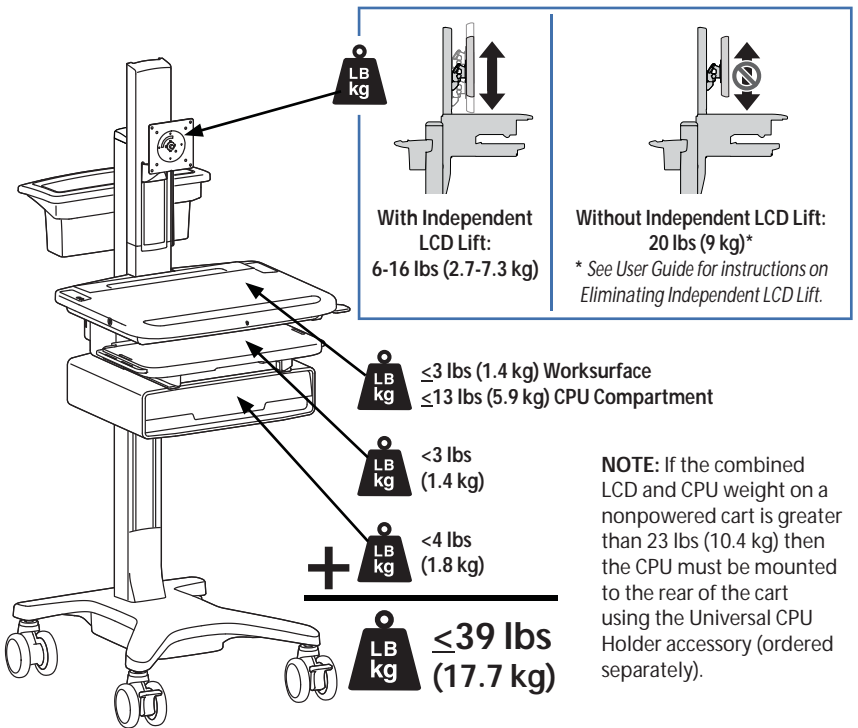
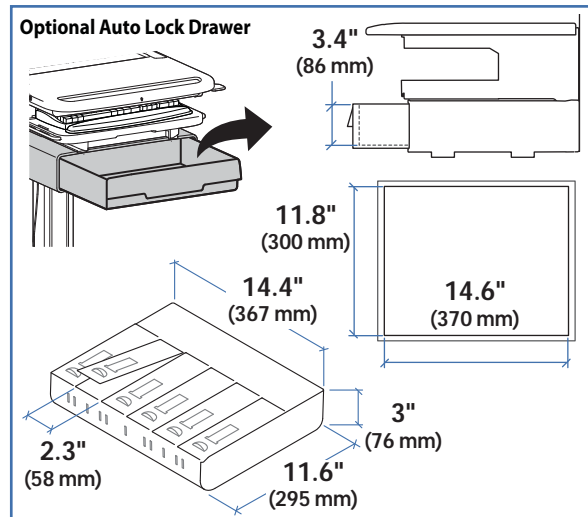
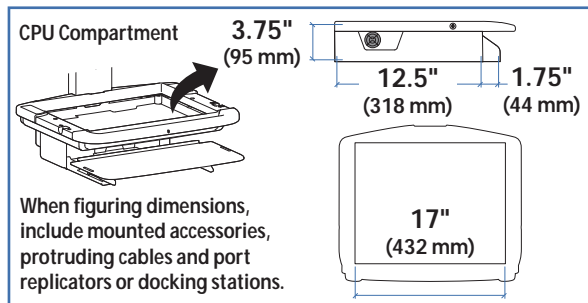
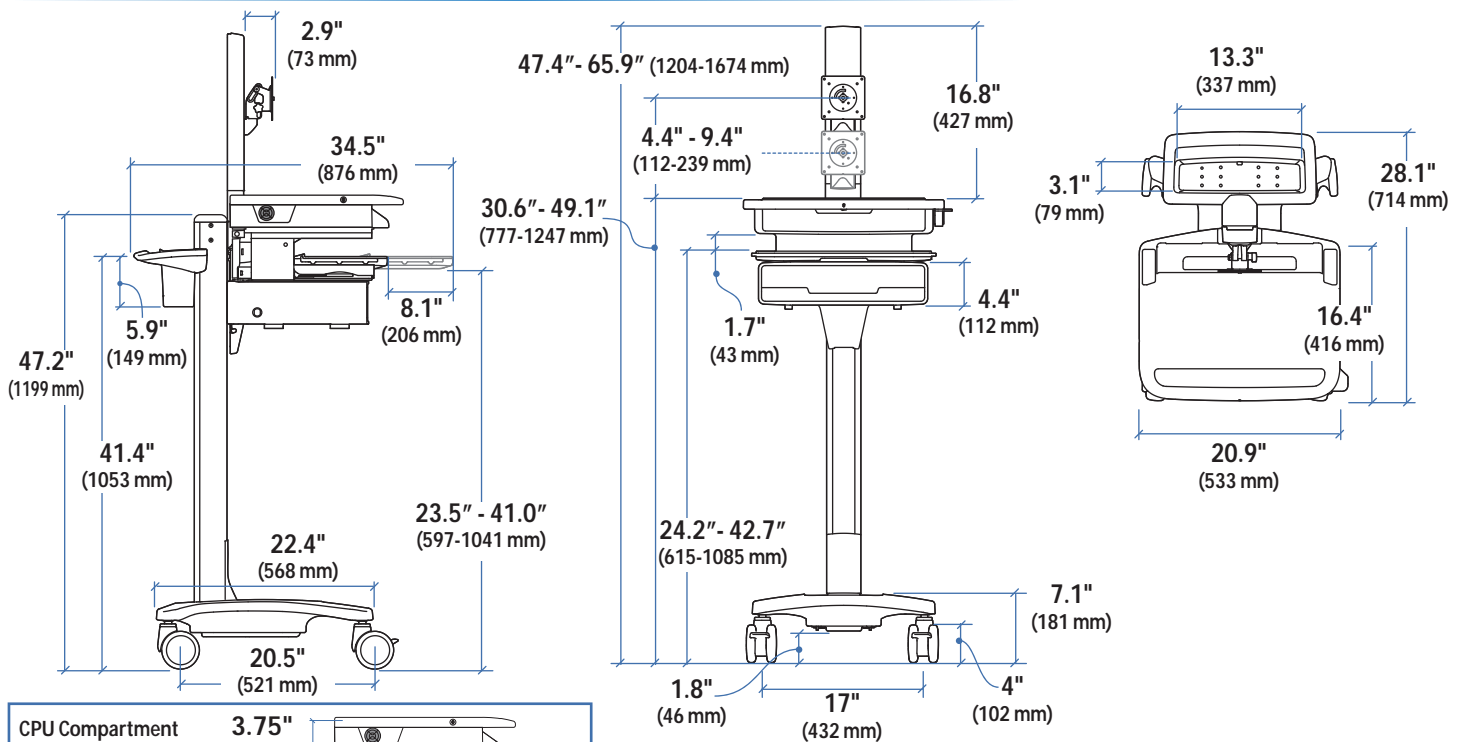


Ergotron® StyleView Cart

Dimensional Illustrations

LCD cart non-powered (shown with optional autolock drawer)



© 2008 Ergotron, Inc. rev. 12/26/2008 DIM-077-SVLCDC Content is subject to change without notification

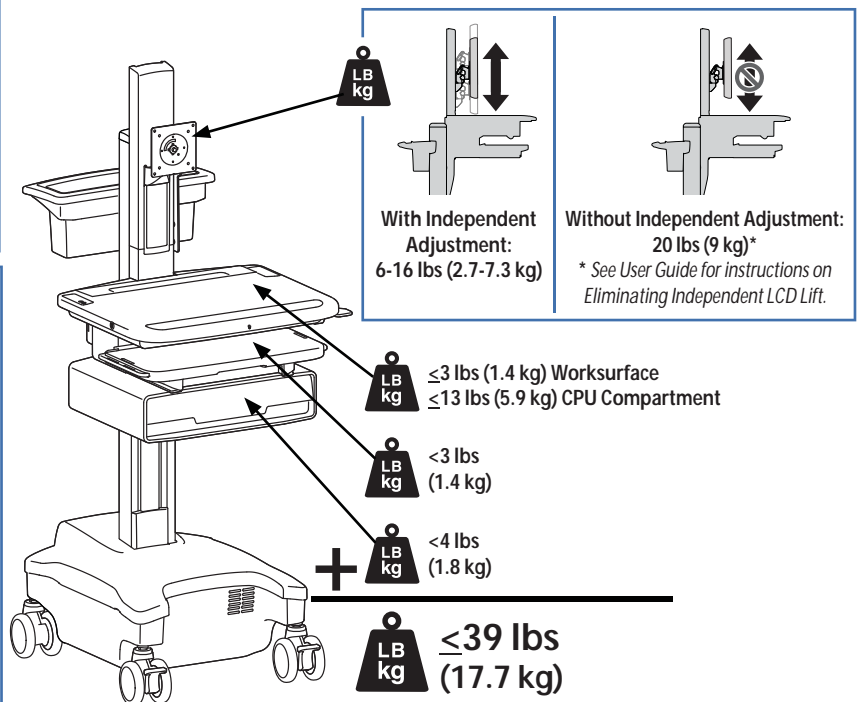
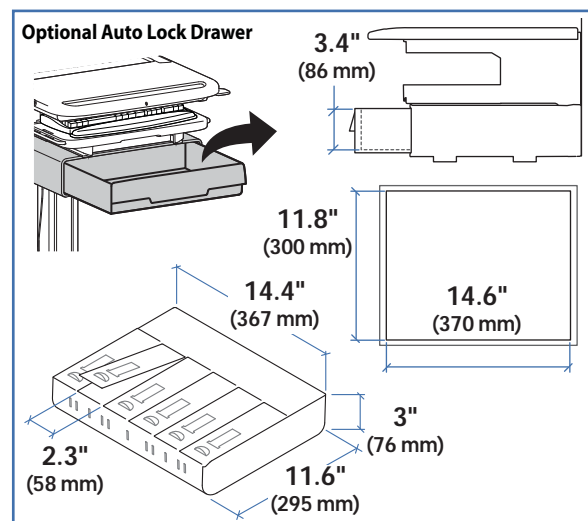
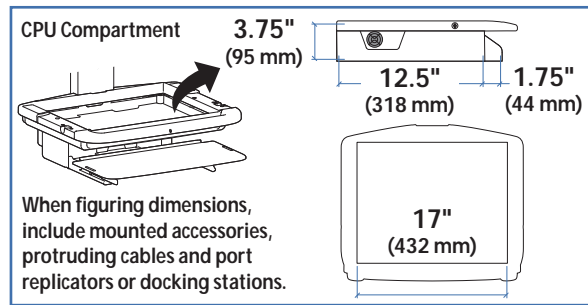
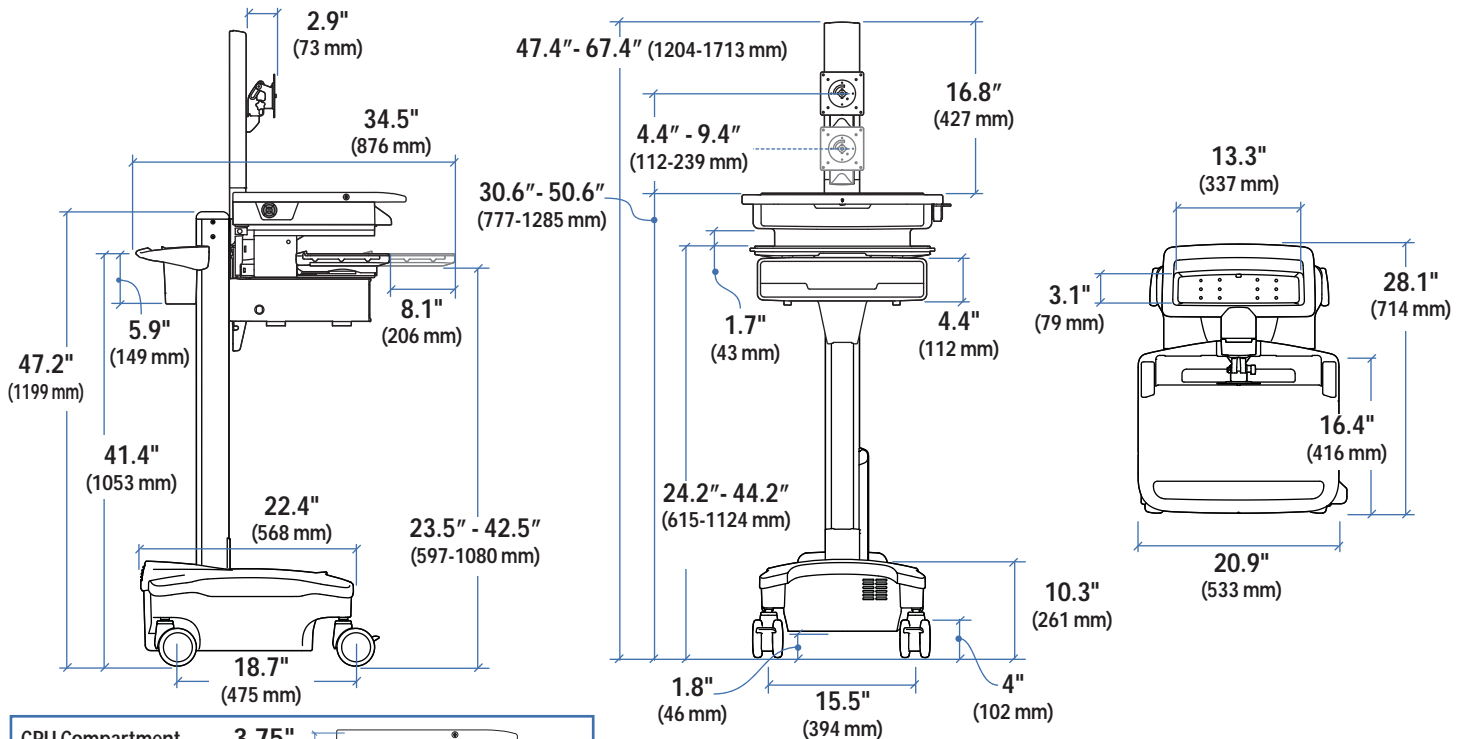
Americas Sales and Corporate Headquarters	EMEA Sales	APAC Sales	Worldwide OEM Sales
St. Paul, MN USA (800) 888-8458 +1-651-681-7600 www.ergotron.com sales@ergotron.com	Amersfoort, The Netherlands +31 33 45 45 600 www.ergotron.com info.eu@ergotron.com	Tokyo, Japan www.ergotron.com info.apac@ergotron.com	www.ergotron.com info.oem@ergotron.com



Ergotron® StyleView Cart

Dimensional Illustrations

LCD cart powered (shown with optional autolock drawer)



© 2008 Ergotron, Inc. rev. 12/26/2008 DIM-077-SVLCD Content is subject to change without notification

Americas Sales and Corporate Headquarters	EMEA Sales	APAC Sales	Worldwide OEM Sales
St. Paul, MN USA (800) 888-8458 +1-651-681-7600 www.ergotron.com sales@ergotron.com	Amersfoort, The Netherlands +31 33 45 45 600 www.ergotron.com info.eu@ergotron.com	Tokyo, Japan www.ergotron.com info.apac@ergotron.com	www.ergotron.com info.oem@ergotron.com

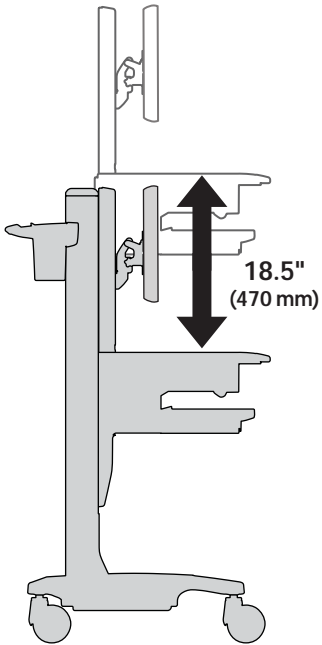


Ergotron® StyleView Cart

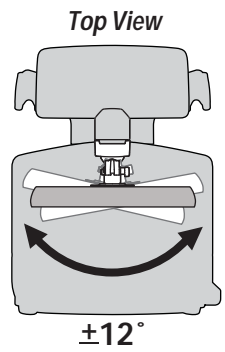
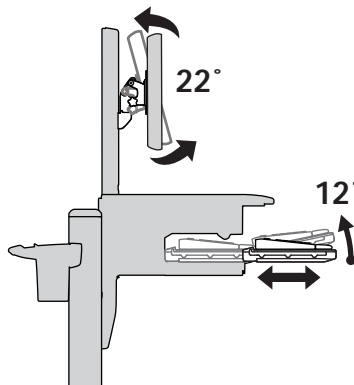
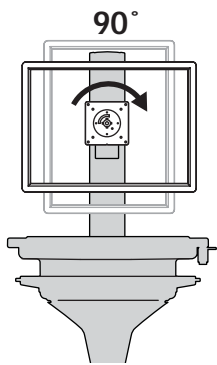
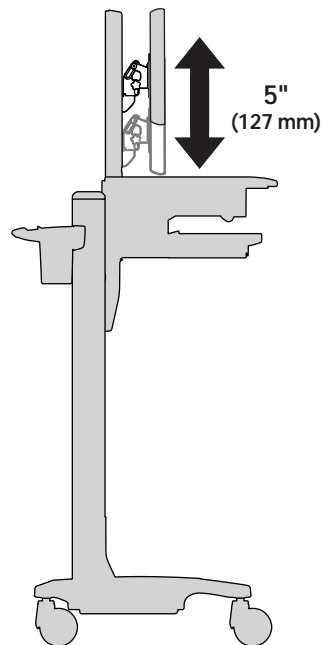
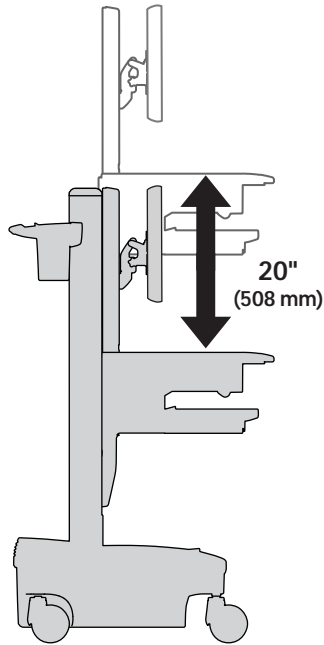
Dimensional Illustrations

LCD cart

Nonpowered Cart



Powered Cart



© 2008 Ergotron, Inc. rev. 12/26/2008 DIM-077-SVLCD Content is subject to change without notification

Americas Sales and Corporate Headquarters

St. Paul, MN USA
(800) 888-8458
+1-651-681-7600
www.ergotron.com
sales@ergotron.com

EMEA Sales

Amersfoort, The Netherlands
+31 33 45 45 600
www.ergotron.com
info.eu@ergotron.com

APAC Sales

Tokyo, Japan
www.ergotron.com
info.apac@ergotron.com

Worldwide OEM Sales

www.ergotron.com
info.oem@ergotron.com

