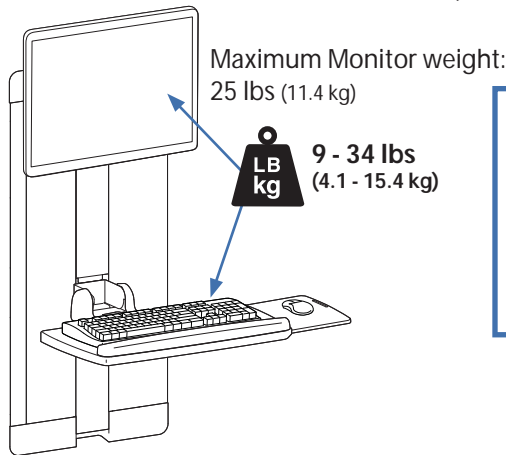
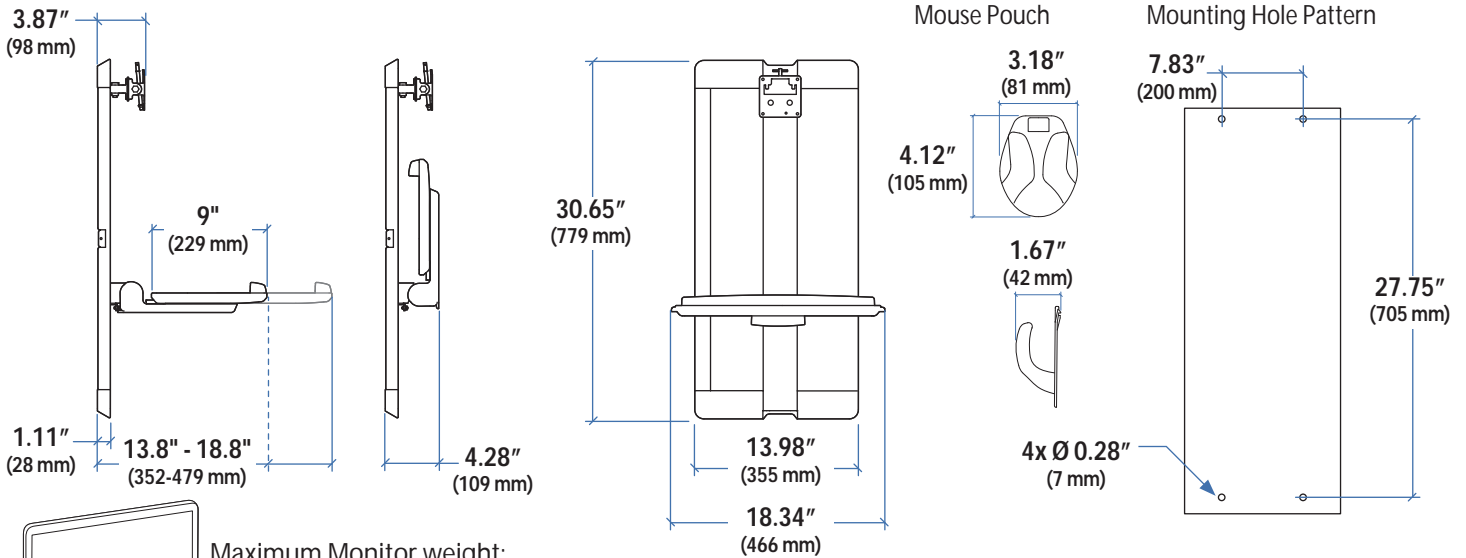


Vertical Lift, Patient Room



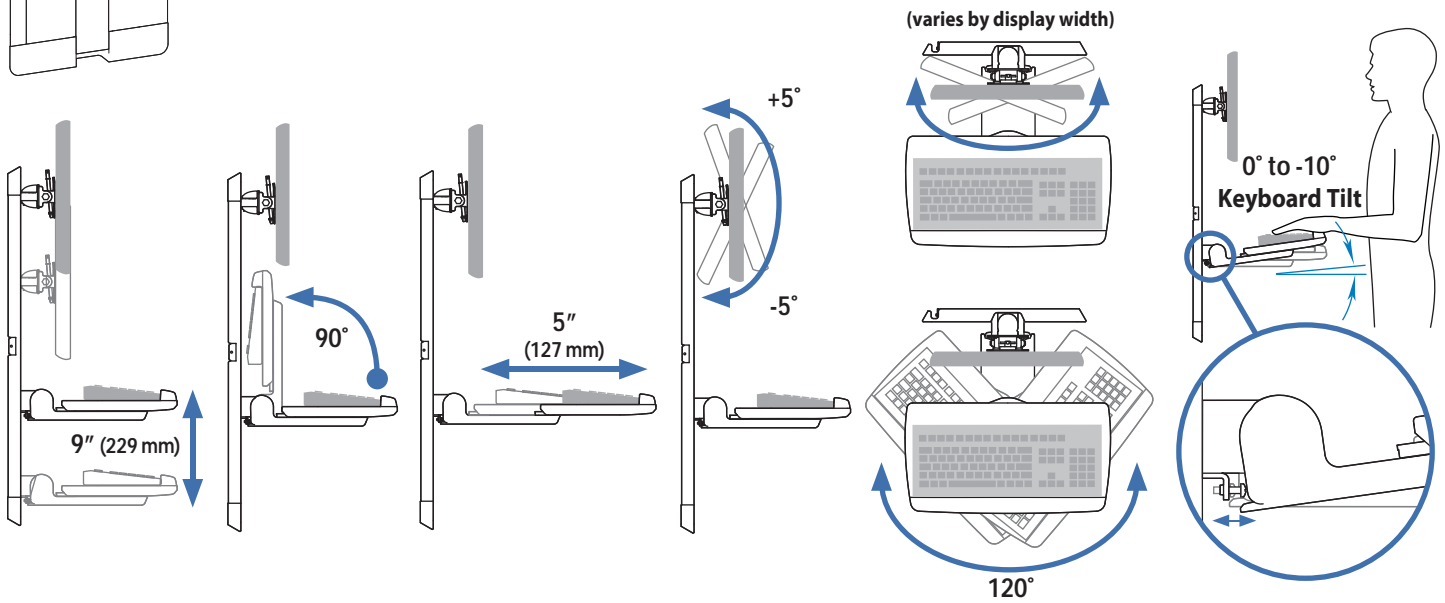
Centerline of Four-Hole VESA FDMI Pattern

Rear of Monitor

Minimizing Vertical Lift Storage Profile
 For keyboard to fit under the monitor when in storage position, follow these guidelines:

- Keyboard should not be more than 8-1/8" (206 mm) deep if using wrist rest, or 9-1/2" (mm) if no wrist rest is used.
- Dimension "A" must be no greater than 6-5/8" (168 mm).

NOTE: Keyboard needs to attach to the lowest set of holes.



© 2009 Ergotron, Inc. rev. 04/28/09 DIM-033-SV Content is subject to change without notification

Americas Sales and Corporate Headquarters
 St. Paul, MN USA
 (800) 888-8458
 +1-651-681-7600
 www.ergotron.com
 sales@ergotron.com

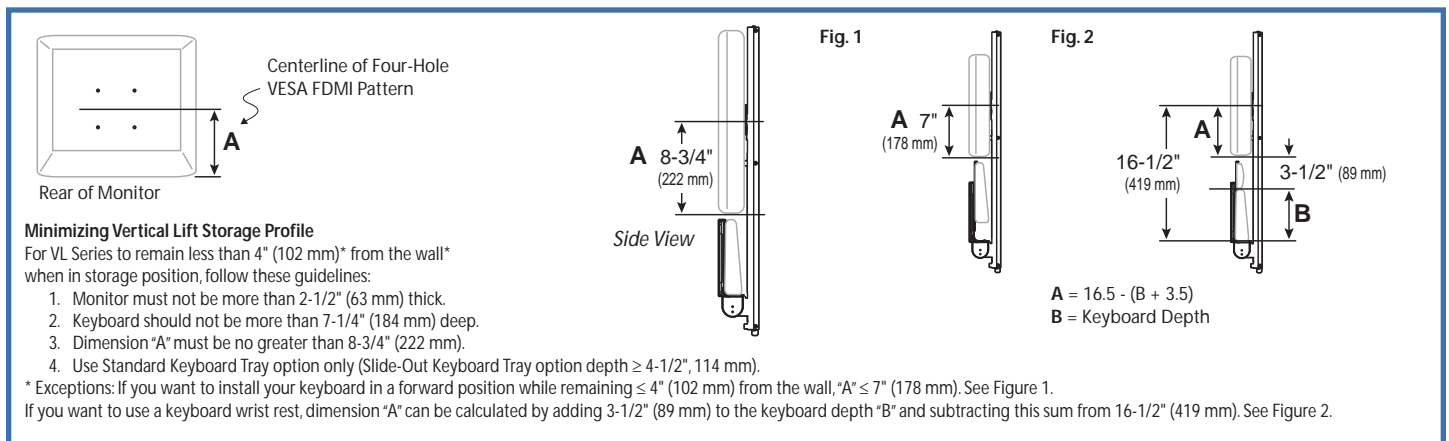
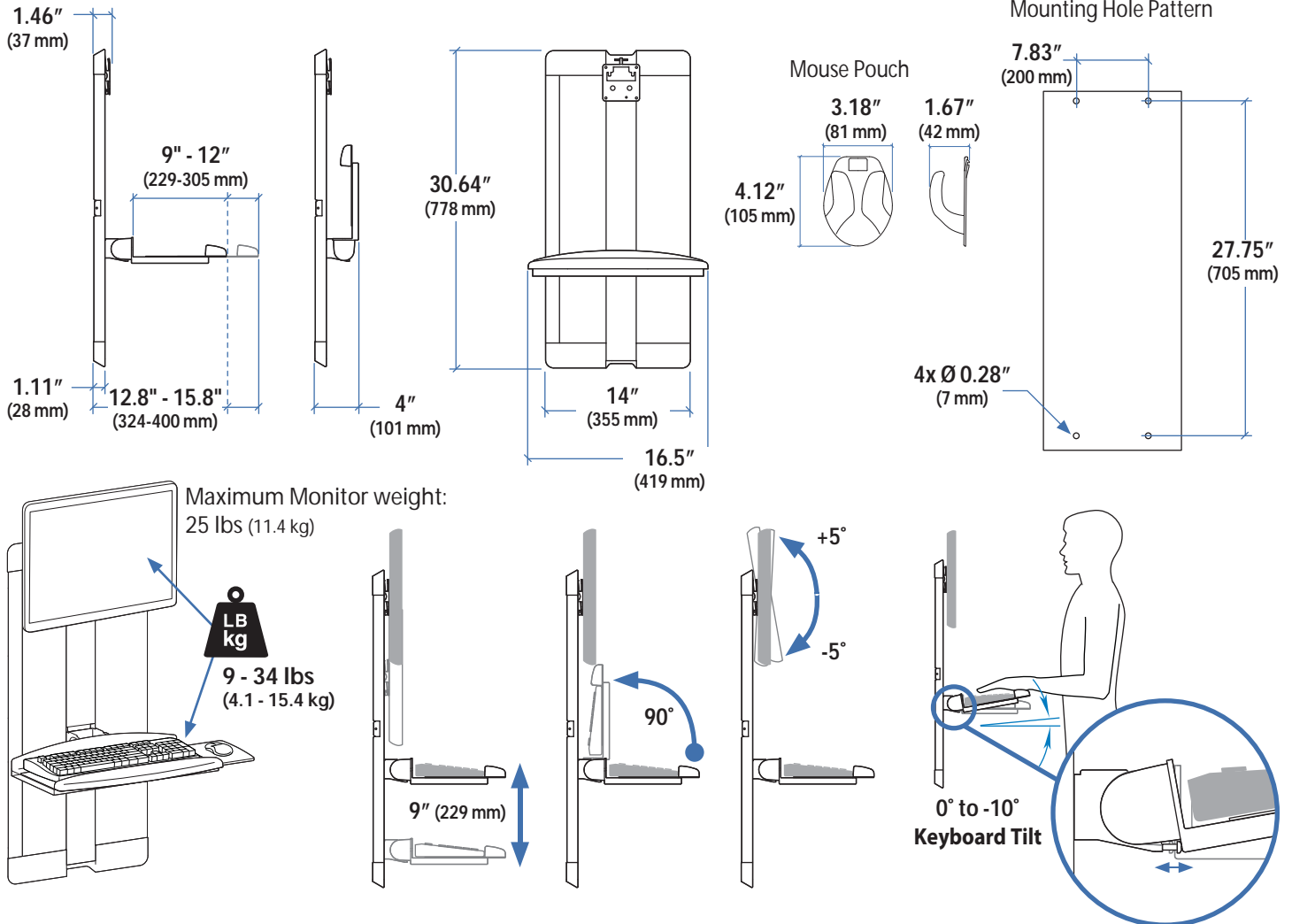
EMEA Sales
 Amersfoort, The Netherlands
 +31 33 45 45 600
 www.ergotron.com
 info.eu@ergotron.com

APAC Sales
 Tokyo, Japan
 www.ergotron.com
 info.apac@ergotron.com

Worldwide OEM Sales
 www.ergotron.com
 info.oem@ergotron.com



Vertical Lift, High Traffic Areas



© 2009 Ergotron, Inc. rev. 04/28/09 DIM-033-SV Content is subject to change without notification

Americas Sales and Corporate Headquarters

St. Paul, MN USA
 (800) 888-8458
 +1-651-681-7600
 www.ergotron.com
 sales@ergotron.com

EMEA Sales

Amersfoort, The Netherlands
 +31 33 45 45 600
 www.ergotron.com
 info.eu@ergotron.com

APAC Sales

Tokyo, Japan
 www.ergotron.com
 info.apac@ergotron.com

Worldwide OEM Sales

www.ergotron.com
 info.oem@ergotron.com

