

Desk Up® 2.0 - 1x 230V und USB-A/C (30W)

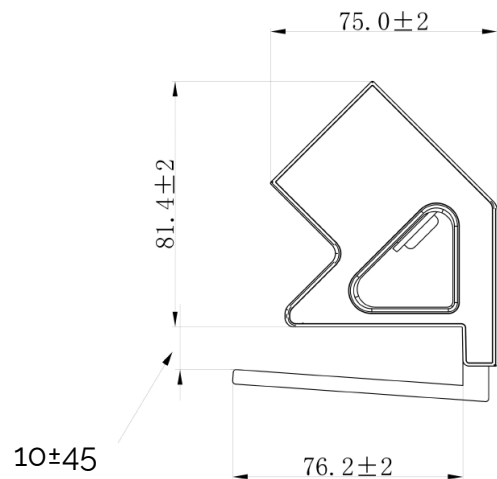
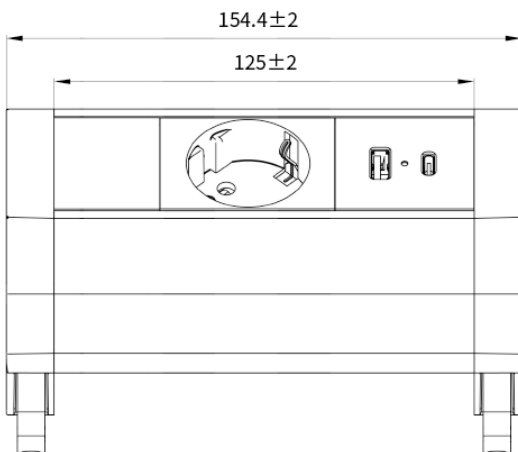
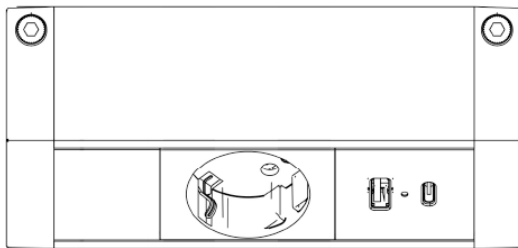
CAD-Dateien

.dwg CAD files available to download from pCon Catalog/pCon.Box

OFML data available on all pCon platforms



Maßzeichnungen



Every effort has been made to ensure that information provided in this document is up to date and accurate. However, Fellowes cannot guarantee and assumes no legal liability or responsibility for the accuracy or completeness of the information provide. In case of any query please contact us as www.Fellowes.com/locations.