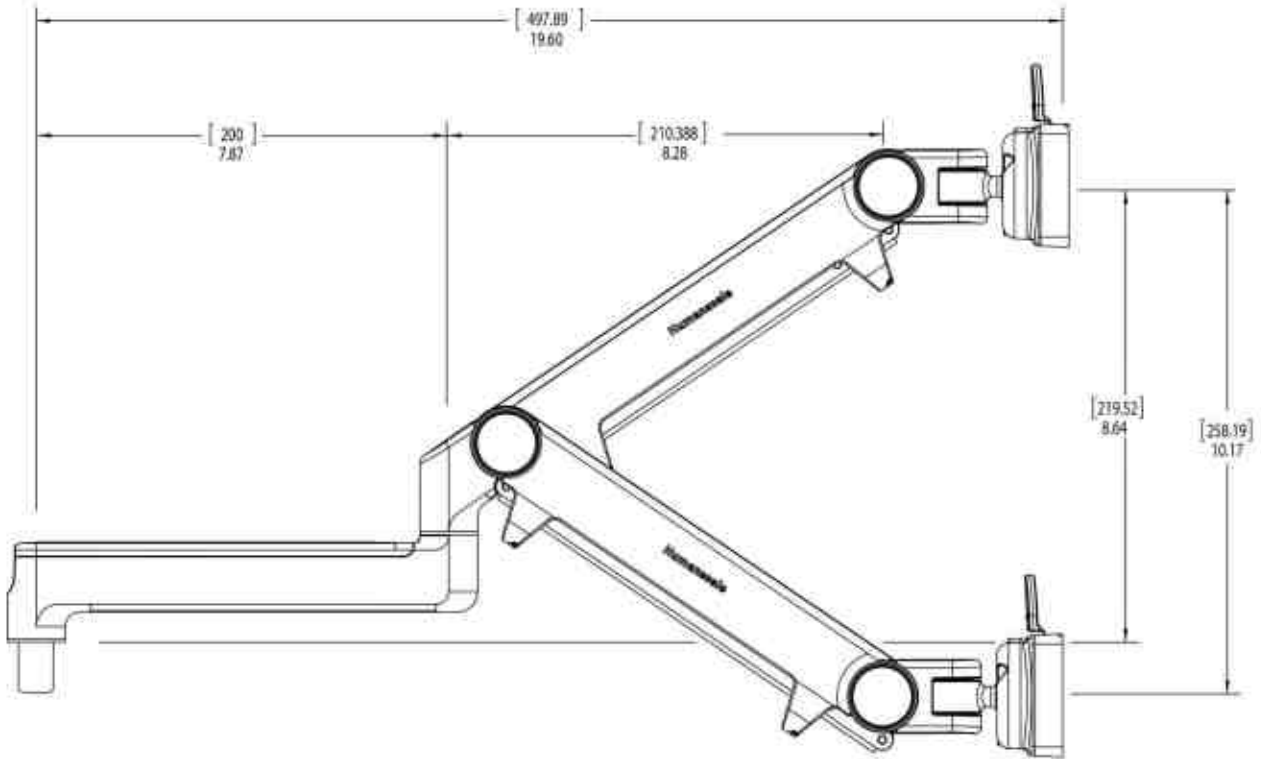


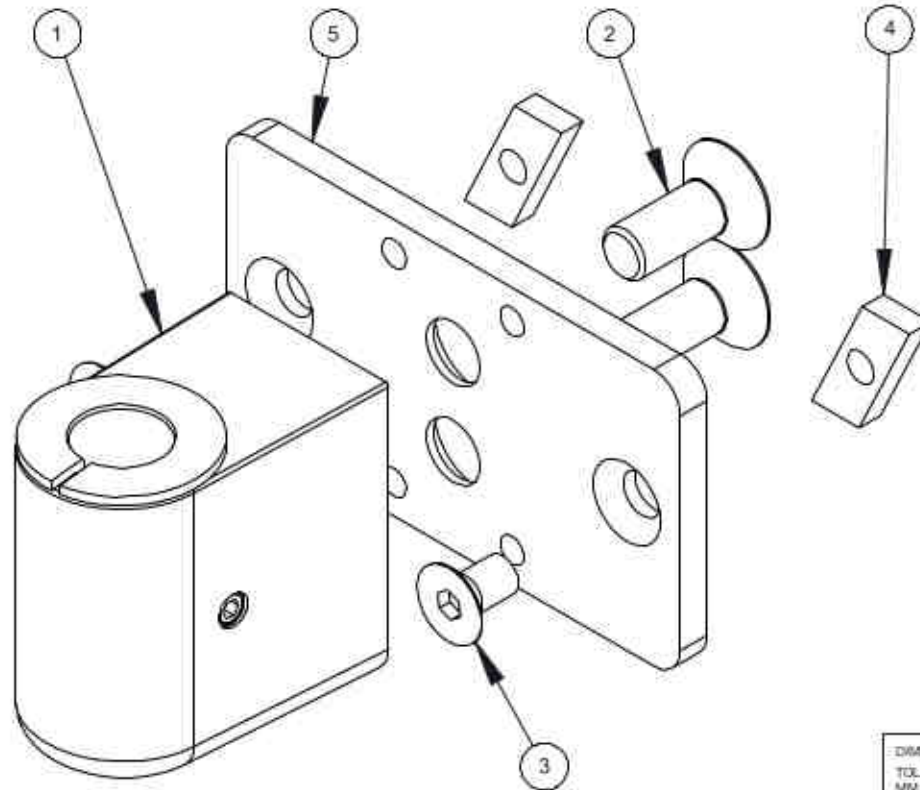
TECHNICAL SPECIFICATIONS ARM STYLE



M2™
Monitor Arm



ITEM	NUMBER	DESCRIPTION	QTY
1	EU618	M2/light knuckle mount assembly	1
2	HSF024	M8 X 20MM CSK ALLEN	2
3	HSF051	M6 x 10mm CSK allen	2
4	SP1309	8mm x 22mm twist cam	2
5	SP1255	M2 slatwall bracket plate for K+N Adapter tool rail	1



DIME IN MM UNLESS STATED TOLERANCES UNLESS STATED MM INCHES XX = ±.10 .XXX = ±.005 X = ±.25 XX = ±.010 ANGLES ±1°	
PROJECT: EU937 M2 slatwall bracket for K+N Team Work Space tool rail	
DRAWING NO. EU937	TITLE M2 slatwall bracket for K+N Team Work Space tool rail
DATE: 13/03/2013	
MATERIAL: -	BEND ALLOWANCE: -
SCALE: 1:1 @ A4	DO NOT SCALE DRAWING 
<small> UNLESS INDICATED OTHERWISE, ALL DIMENSIONS ARE IN MILLIMETERS UNLESS OTHERWISE SPECIFIED. ALL DIMENSIONS ARE TO BE TAKEN TO THE CENTER UNLESS OTHERWISE SPECIFIED. ALL DIMENSIONS ARE TO BE TAKEN TO THE CENTER UNLESS OTHERWISE SPECIFIED. </small>	