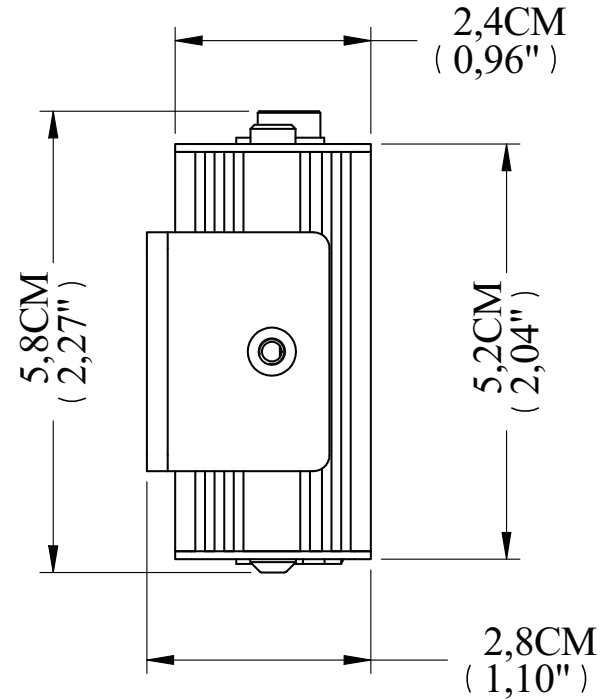
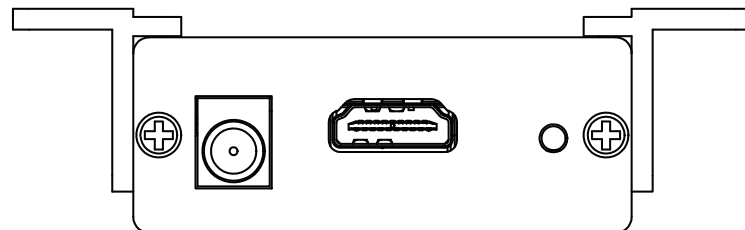
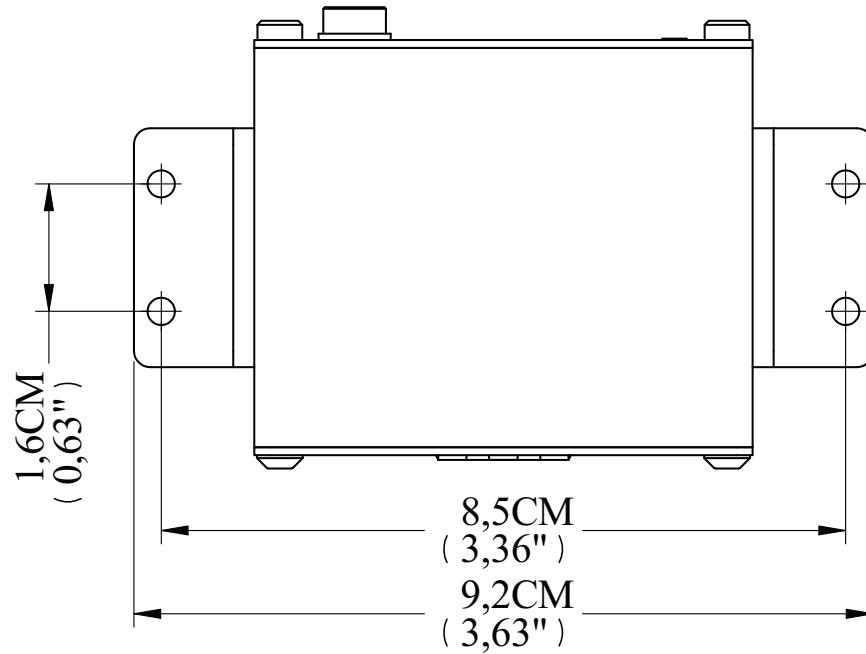
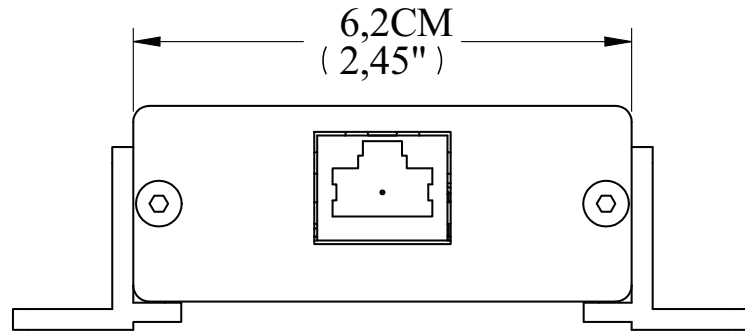


REVISION HISTORY

| REV | DESCRIPTION | ECO NO. | DATE         | APPROVED |
|-----|-------------|---------|--------------|----------|
| 1   | PRELIMINARY |         | DD . MM . YY |          |
|     |             |         |              |          |
|     |             |         |              |          |



PT-572+

|  | NAME      | DATE      | KRAMER ELECTRONICS LTD.                  |  |
|--|-----------|-----------|--|--|
| DRAWN  | ihassidim | 20/Sep/10 | JERUSALEM, ISRAEL                        |  |
| CHECKED  |           |           | PART: PT-572+-OUTLINE                    |  |
| ENG APPR   |           |           | SIZE A3 KRAMER P.N.: PT-572+-OUTLINE REV |  |
| MGR APPR   |           |           | File name: PT-572+-OUTLINE.dft           |  |
| UNLESS OTHERWISE SPECIFIED<br>DIMENSIONS ARE IN MILLIMETERS<br>ANGLES ±0.5°<br>LINEAR ±0.2<br>HOLES ±0.2 |           |           | Project: PT-572+ Sheet 1 of 1            |  |