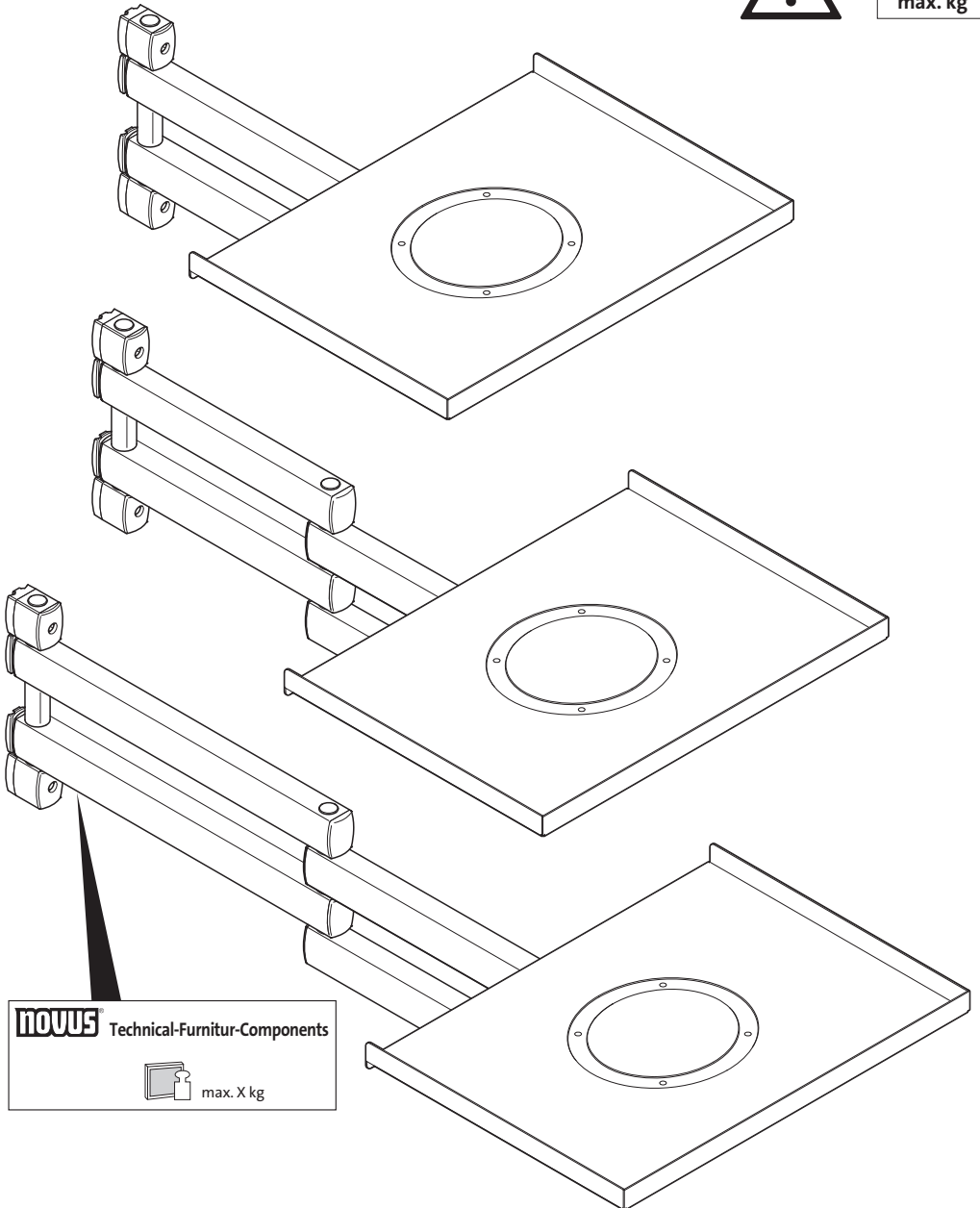
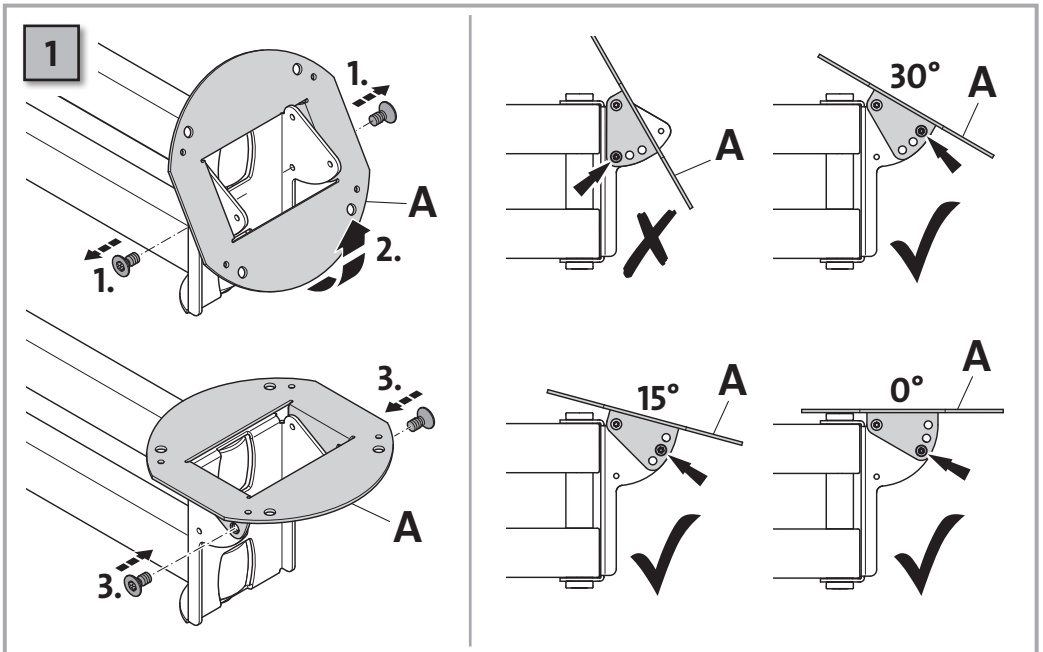
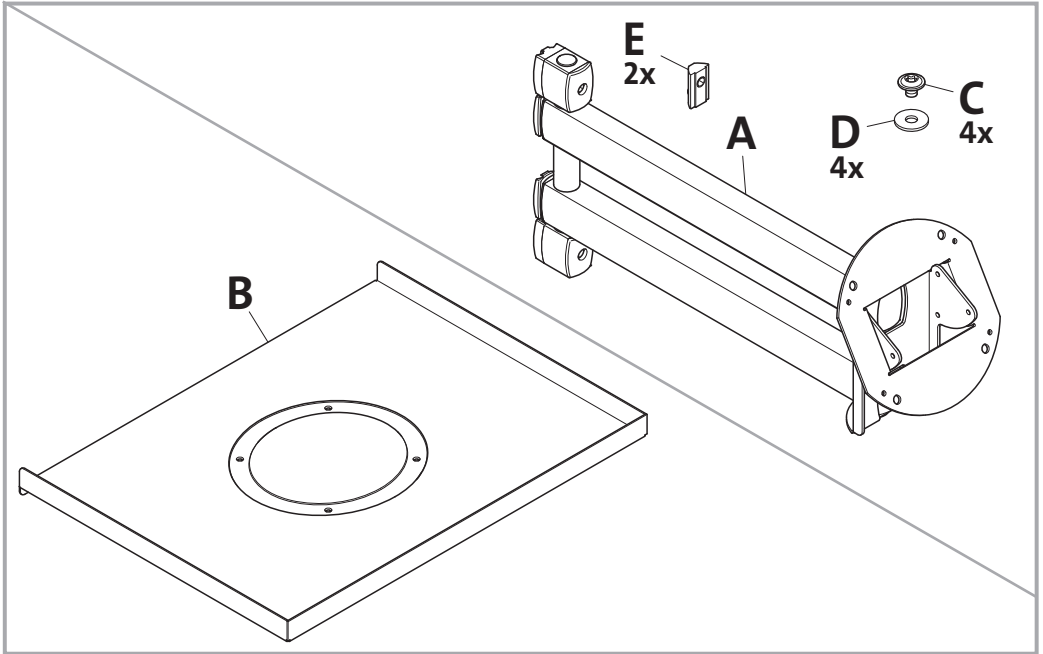
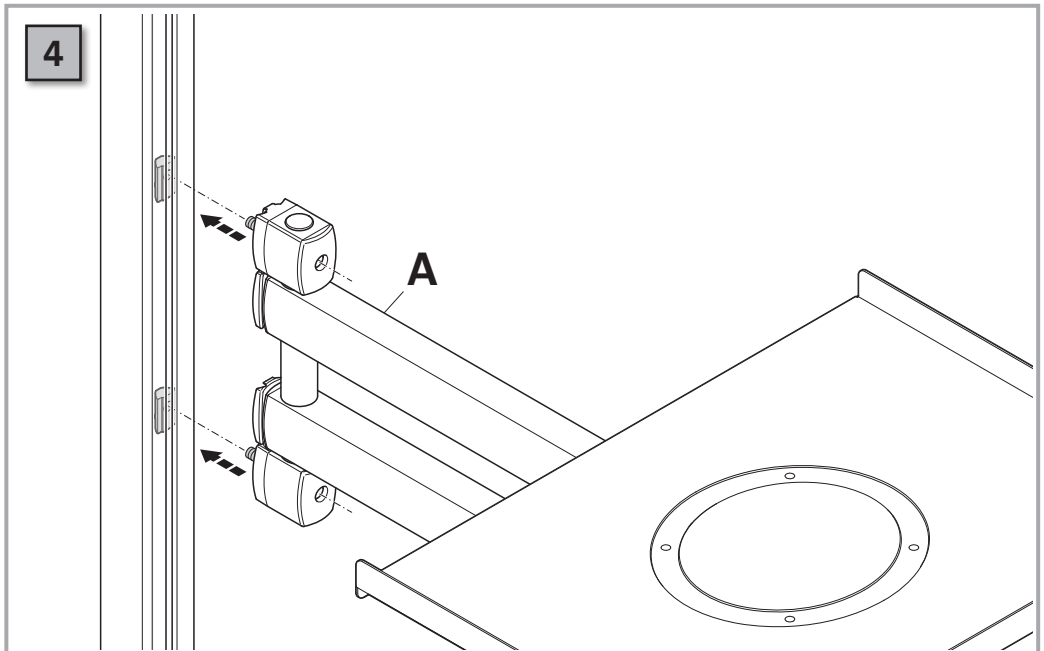
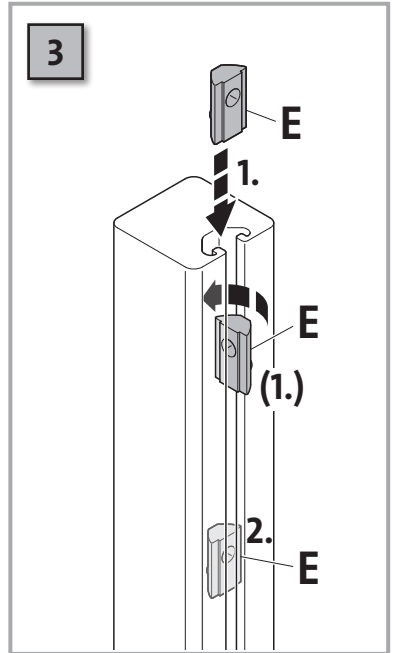
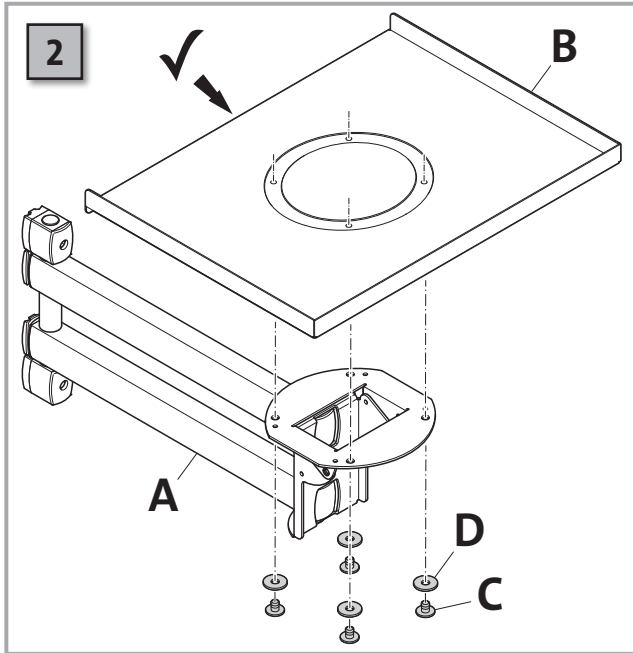




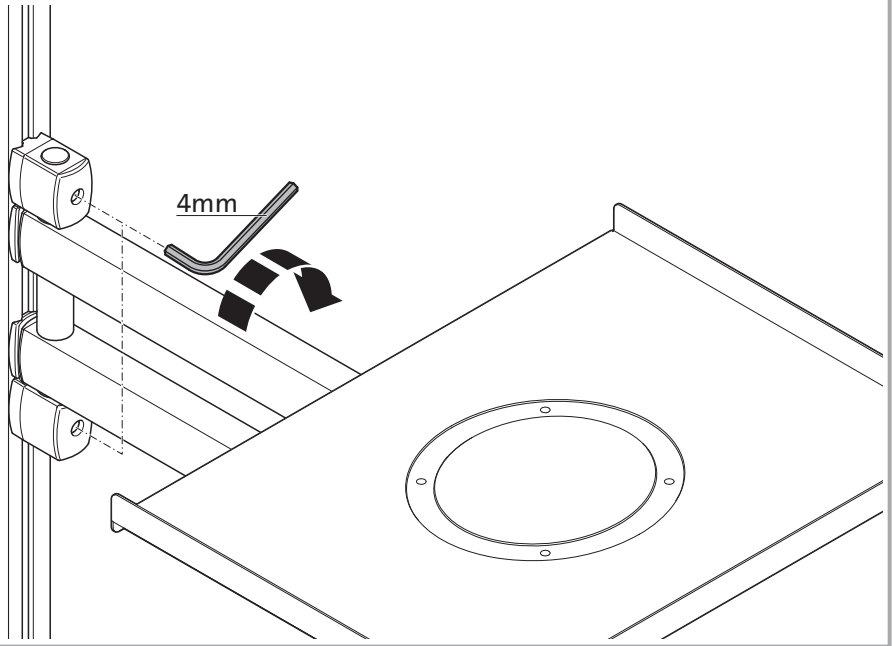
NOVUS® TFC Ablage HD







5



Headquarters:

Novus Dahle GmbH
Breslauer Straße 34-38
49808 Lingen (Ems)
Germany

Service contact:

Novus Dahle GmbH
Hessenweg 53
49811 Lingen (Ems)
Germany
Tel. +49 (0) 591 9140-457
Fax +49 (0) 591 9140-841
E-Mail: info@novus-dahle.com
Web: www.novus-dahle.com

© Copyright 2023 by Novus Dahle GmbH

NOVUS[®]
www.novus.de