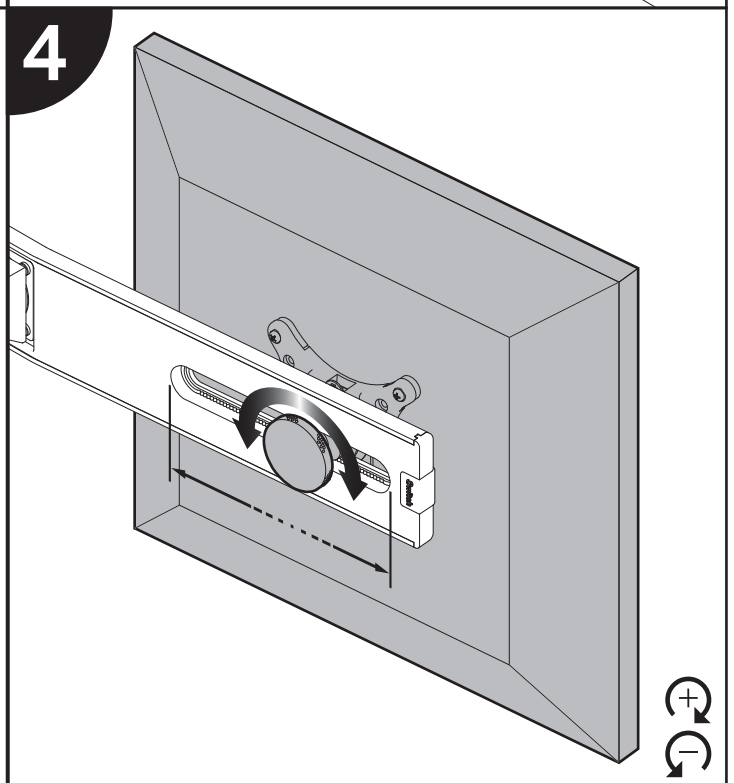
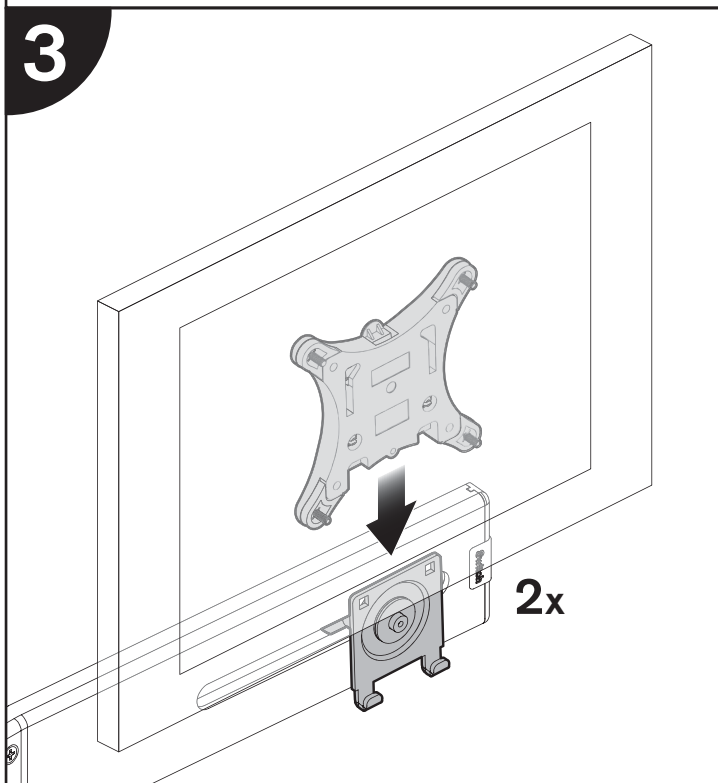
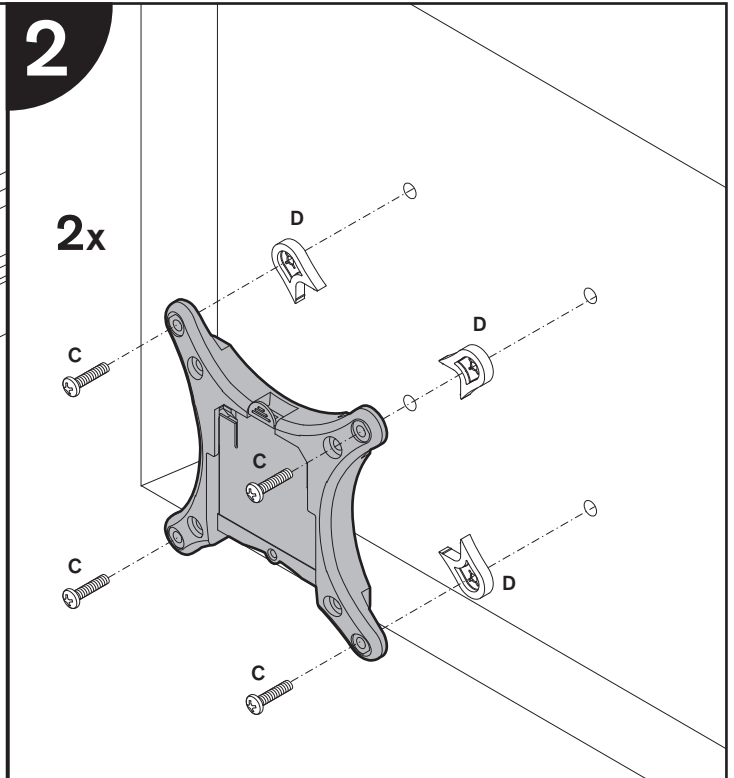
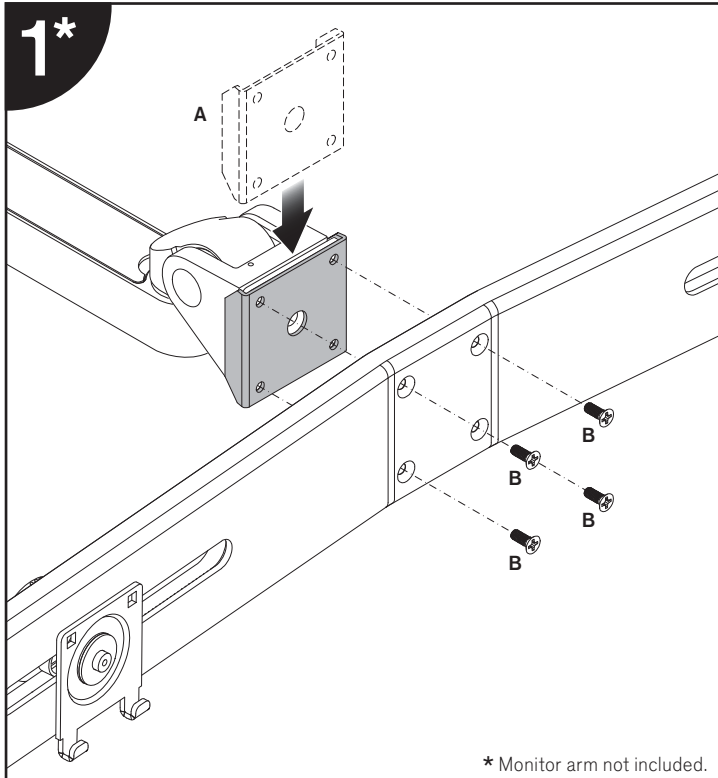
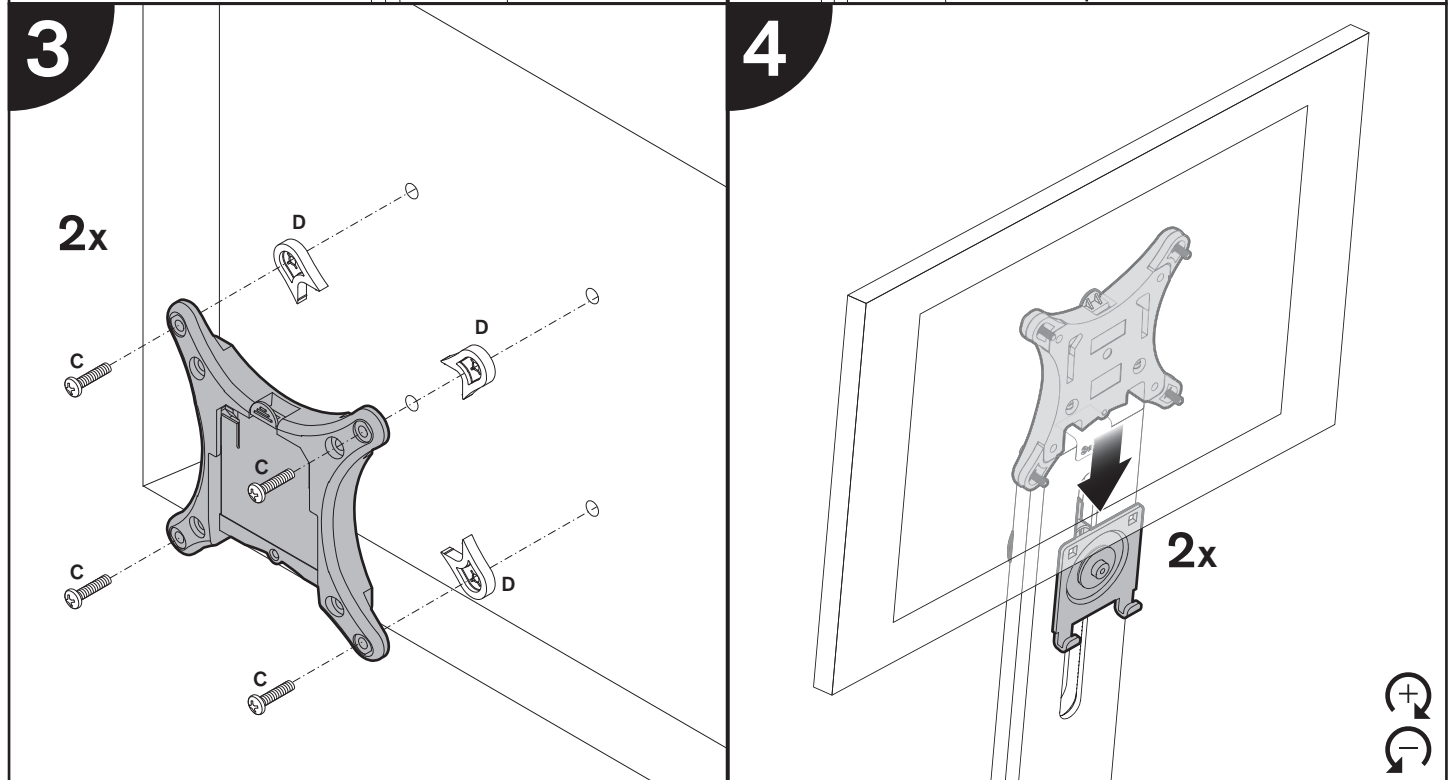
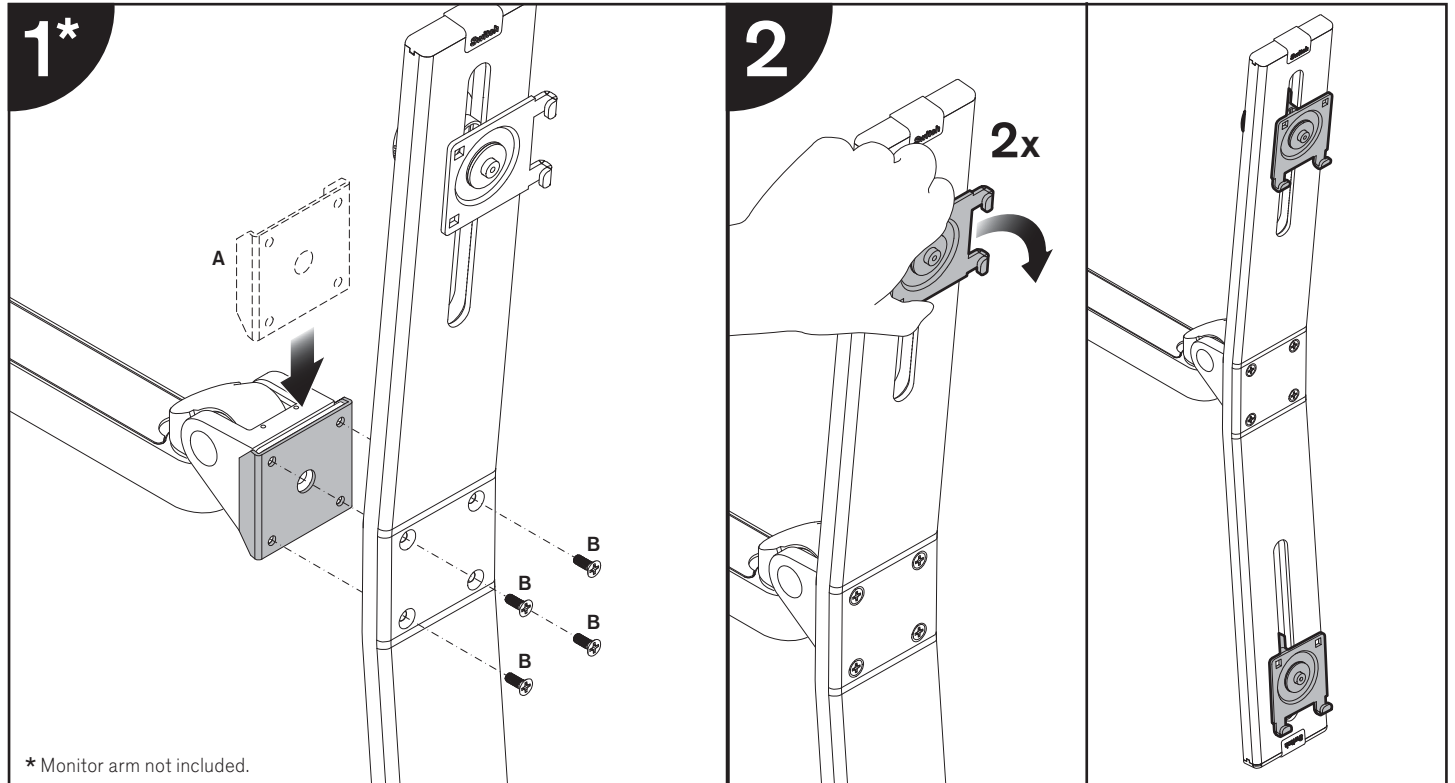


PFA 9102 | Horizontal Positioning Installation Instructions



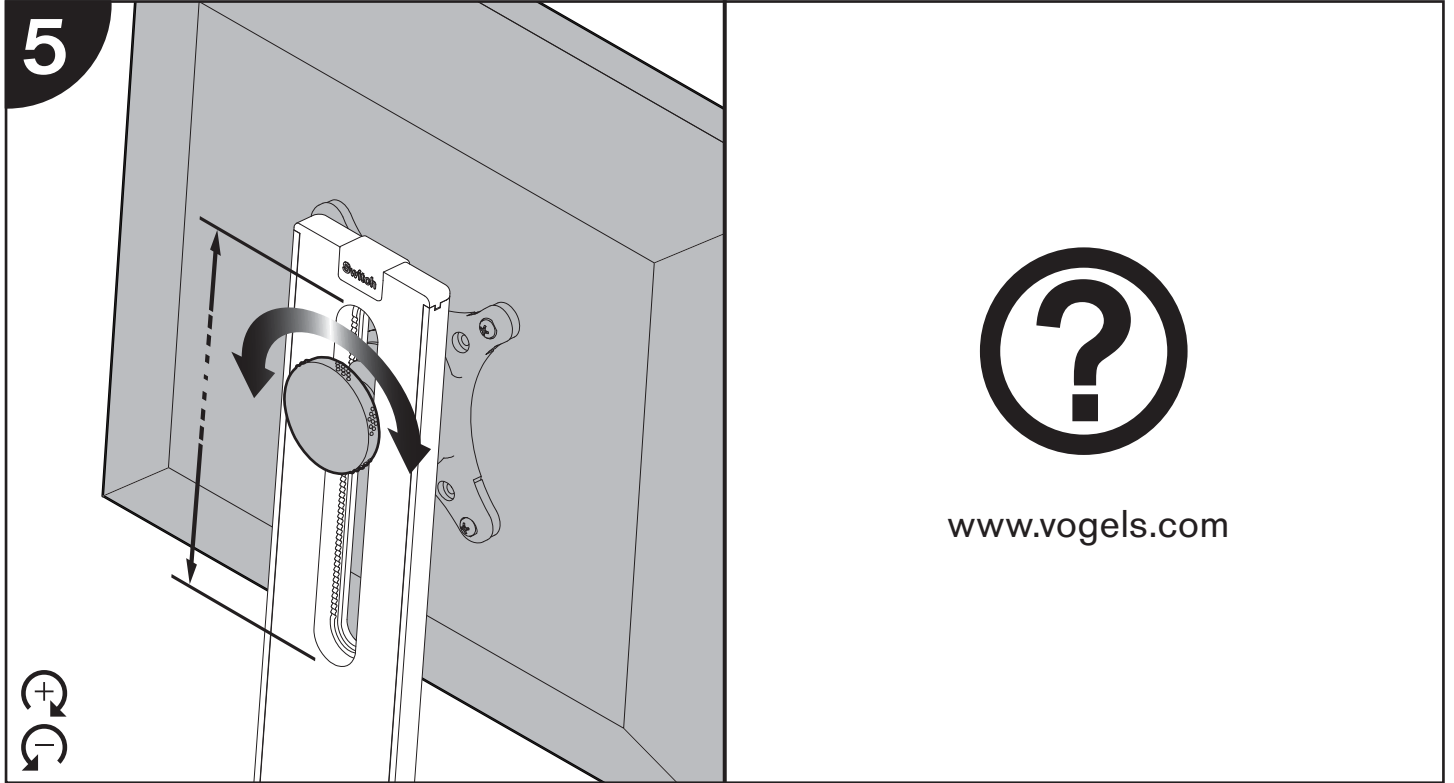


PFA 9102 | Vertical Positioning Installation Instructions





PFA 9102 | Vertical Positioning Installation Instructions





PFA 9102 Parts List

| ITEM | DESCRIPTION / PART NO. | QUANTITY |
|--|--|----------|
| A  | Rotation Prevention Bracket 106271 | 1 |
| B  | 10-32 x 1/2" FPhMS 709129 | 4 |
| C  | M4 x .7 x 18mm Screw 704917 | 8 |
| D  | Spacer-Screw Retainer 104887 | 8 |