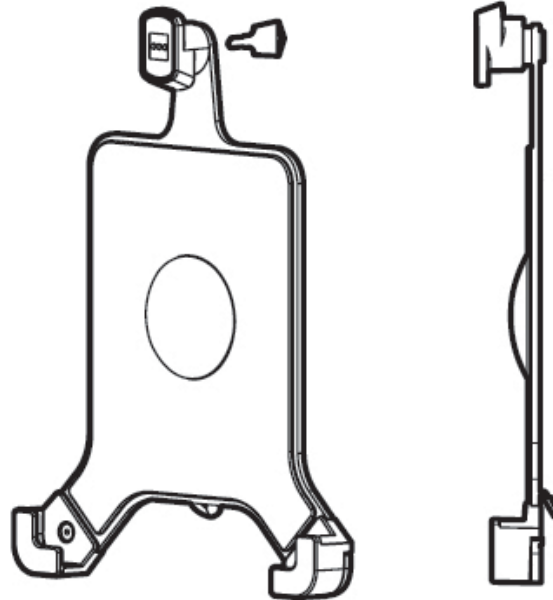


PRODUCT NAME Tablet Mount

PRODUCT CODE IPM/001/001

PRODUCT DATA



KEY FEATURES

- Compatible with iPad (with and without cover) and iPad 2
- Optimised for use with Flo arm but can be used with any VESA mount
- Feet and cam designed to provide minimal visual intrusion
- Cam lock provides theft deterrence for tablets left on workstations

Product classification Accessories

Max load N/A

Horizontal Range 186 x 241 x 10

Vertical Range

Build level A

Box contents Tablet holder, cam lock and key

Recycled Content 0%

Total Product Recyclable 100%



TECHNICAL SPECIFICATION SHEET

PRODUCT NAME Tablet Mount

PRODUCT CODE IPM/001/001

PRODUCT DATA

LOGISTICAL

Box dims (HxWxD) 230 x 55 x 315 mm

Carton quantity 12

Weight inner 1.2 kg

Master dims (HxWxD) 48 x 34 x 37 mm

Master weight 16 kg

Country of origin China

Country of configuration UK

COLOUR

PRODUCT CODE

EAN

Silver

IPM/001/001/S

5060270820529

Black

N/A

N/A

White

IPM/001/001/W

5060270820536

Custom colour

None

GUARANTEE

Guarantee term Unlimited Lifetime

Notes None

COMPLIANCE & SAFETY CERTIFICATION

Whilst no mandatory standards apply to the monitor arm product sector, all Colebrook Bosson Saunders monitor arms have been designed with appropriate articulation features, dimensional range and adjustability to conform to the requirements of BS EN ISO 9241:5 1999 Ergonomic requirements for office work with visual display terminals (VDTs).

Conformance certification General safety and fit for purpose

Test authority CBS

Safety certification N/A

CE EN Refs N/A



TECHNICAL SPECIFICATION SHEET

PRODUCT NAME Tablet Mount

PRODUCT CODE IPM/001/001

PRODUCT DATA

INTERNAL TEST MEASURES

Test parameter Load test

Test value N/A

Test parameter 2 N/A

Test value N/A

Test parameter 3 N/A

Test value N/A

ENVIRONMENTAL

Material - Type	Material type weight	Percent PIR of total weight	Percent PCR of total weight	Percent of total product recyclable
Plastic	108 g.	0%	0%	10%
Die Cast Aluminium	920 g.	44%	39%	87%
Zinc	7 g.	0%	0%	1%
Steel	27 g.	0%	0%	3%
-				
-				
Total	1062 g.	44%	39%	100%

CLEANING STORAGE & MAINTENANCE

Routine servicing Periodic inspection

Service components Available to order

Cleaning & Maintenance Damp cloth, no abrasives, no solvents to be used on the cosmetic surfaces

Handling & Storage Do not drop or expose to moisture

Colebrook Bosson Saunders (Products) Ltd accept no liability for the accuracy of the information contained herein and retain the right to modify the specifications or data contained herein without prior notification

Sheet last modified: 03/05/2012