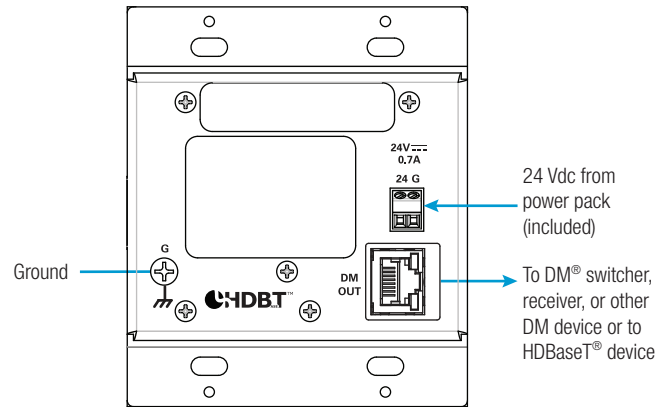


## DM-TX-200-C-2G

### Wall Plate DigitalMedia 8G+® Transmitter 200

#### DO Make Connections to the Rear Panel

Make connections to the rear panel of the Crestron® DM-TX-200-C-2G before installing the unit into an electrical box (not included) or floor box (not included).



**NOTE:** The DM OUT port is a Power over DM (PoDM) and HDBaseT® PoE (Power over Ethernet) powered device (PD) port. To receive PoDM or HDBaseT PoE, the DM-TX-200-C-2G requires a connection to a DigitalMedia™ switcher or other equipment that has a PoDM or HDBaseT PoE power sourcing equipment (PSE) port. Any wiring that is connected to a PoDM or HDBaseT PoE PSE port is for intrabuilding use only and should not be connected to a line that runs outside of the building in which the PSE is located.

#### DO Install the DM-TX-200-C-2G

Install the DM-TX-200-C-2G into a 2-gang electrical box or into a 6-inch floor box.

##### Installation into an Electrical Box

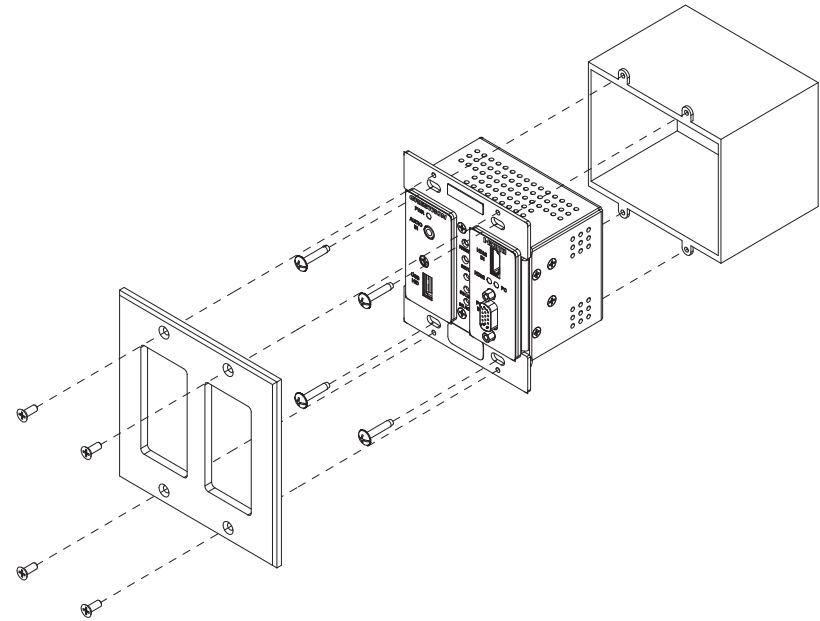
Install the DM-TX-200-C-2G into a 2-gang electrical box in a wall, floor, or ceiling. A minimum mounting depth of 2-1/2 inches (64 mm) is required.

To install the DM-TX-200-C-2G into an electrical box, do the following:

1. Using a Phillips head screwdriver, attach the DM-TX-200-C-2G to the electrical box using the four included #6-32 x 3/4-inch truss combo head screws.
2. Attach a decorator-style faceplate (not included) to the front panel of the DM-TX-200-C-2G using four screws (not included).

#### DO Check the Box

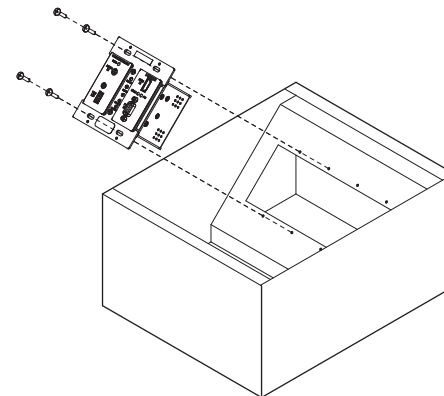
QTY	PRODUCT	PART NUM.
1	Power Pack, 24 Vdc 0.75 A, 100-240 Vac	2045866
4	Screw, #6-32 x 3/4", Truss Head, Combo	2009211



##### Installation into a Floor Box

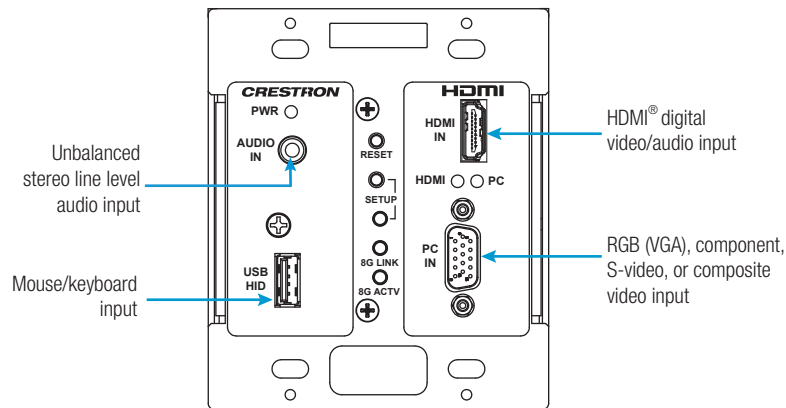
Install the DM-TX-200-C-2G into a 2-gang opening in a 6-inch (153 mm) deep floor box.

Using a Phillips head screwdriver, attach the DM-TX-200-C-2G to an installed floor box using the four included #6-32 x 3/4-inch truss combo head screws.



## DO Make Connections to the Front Panel

Make connections to the front panel of the DM-TX-200-C-2G as required for the application.



## DO Set the IP Address

The configuration of the DM-TX-200-C-2G within the DigitalMedia 8G+® system determines how the IP address of the DM-TX-200-C-2G is set:

- If the DM-TX-200-C-2G connects to a DigitalMedia switcher, the DM-TX-200-C-2G is configured by the switcher automatically.
- If the DM-TX-200-C-2G connects to a DigitalMedia 8G+ receiver, the DM-TX-200-C-2G uses its own configuration settings. By default, DHCP (Dynamic Host Configuration Protocol) is enabled. If it is desired that the default IP address be assigned to the DM-TX-200-C-2G, hold down the **SETUP** button while the unit boots up. The default IP address 192.168.1.239 overwrites the current setting. To manually set a different IP address, use the Crestron Toolbox™ application.

## DO Learn More

Visit the website for additional information and the latest firmware updates. To learn more about this product, use a QR reader application on your mobile device to scan the QR image.

**Crestron Electronics**  
15 Volvo Drive, Rockleigh, NJ 07647  
888.CRESTRON | [www.crestron.com](http://www.crestron.com)



**CE** As of the date of manufacture, the product has been tested and found to comply with specifications for CE marking.

**UL** This product is Listed to applicable UL Standards and requirements tested by Underwriters Laboratories Inc.  
Ce produit est homologué selon les normes et les exigences UL applicables par Underwriters Laboratories Inc.

### Federal Communications Commission (FCC) Compliance Statement

This device complies with part 15 of the FCC Rules. Operation is subject to the following two conditions:

(1) This device may not cause harmful interference, and (2) this device must accept any interference received, including interference that may cause undesired operation.

**CAUTION:** Changes or modifications not expressly approved by the manufacturer responsible for compliance could void the user's authority to operate the equipment.

**NOTE:** This equipment has been tested and found to comply with the limits for a Class A digital device, pursuant to part 15 of the FCC Rules. These limits are designed to provide reasonable protection against harmful interference when the equipment is operated in a commercial environment. This equipment generates, uses and can radiate radio frequency energy and, if not installed and used in accordance with the instruction manual, may cause harmful interference to radio communications. Operation of this equipment in a residential area is likely to cause harmful interference in which case the user will be required to correct the interference at his own expense.

### Industry Canada (IC) Compliance Statement

CAN ICES-3(A)/NMB-3(A)

The specific patents that cover Crestron products are listed at [patents.crestron.com](http://patents.crestron.com).

The product warranty can be found at [www.crestron.com/warranty](http://www.crestron.com/warranty).

Crestron, the Crestron logo, Crestron Toolbox, DigitalMedia, DigitalMedia 8G+, and DM are either trademarks or registered trademarks of Crestron Electronics, Inc. in the United States and/or other countries. HDBaseT and the HDBaseT logo are either trademarks or registered trademarks of the HDBaseT Alliance in the United States and/or other countries. HDMI and the HDMI logo are either trademarks or registered trademarks of HDMI Licensing LLC in the United States and/or other countries. UL and the UL logo are either trademarks or registered trademarks of Underwriters Laboratories, Inc. in the United States and/or other countries. Other trademarks, registered trademarks, and trade names may be used in this document to refer to either the entities claiming the marks and names or their products. Crestron disclaims any proprietary interest in the marks and names of others. Crestron is not responsible for errors in typography or photography.

This document was written by the Technical Publications department at Crestron.

©2016 Crestron Electronics, Inc.