

FSM4040-T  
 Universal Tilt Wall Mount  
 for 32"-75" screens



Designed for the installation of medium-sized screens. FSM4040-T is a robust, tilting wall mount that provides extraordinary functionality with its minimalist design. The ease of installation makes it very simple to use on all types of wall surfaces. Screen protection against falling, robust finish and, at the same time, modern design allow the use of FSM4040-T in conference rooms, waiting rooms or public areas.

FEATURES:

- Robust design to ensure load capacity up to 30 kg
- Screen protection against falling
- Screen mounting screws included
- Lateral adjustment of the screen once mounted on the wall plat
- Suitable for installation on concrete, plaster and wooden walls
- Minimalist design and functionality
- Simple and quick installation



32"-75"



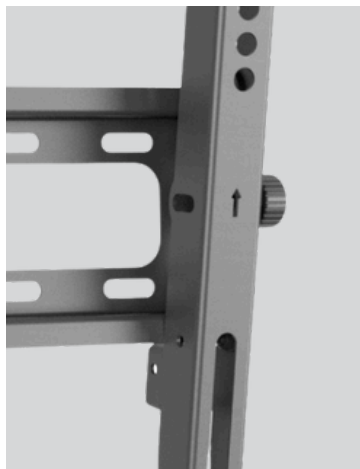
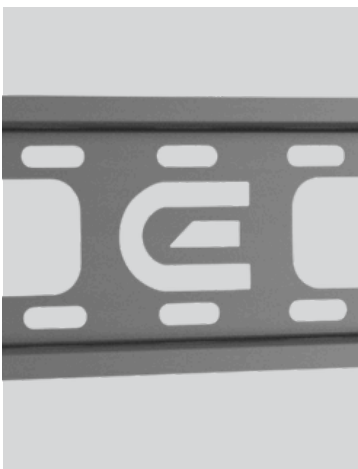
30kg



100x100  
400x400



RoHS  
Compliant

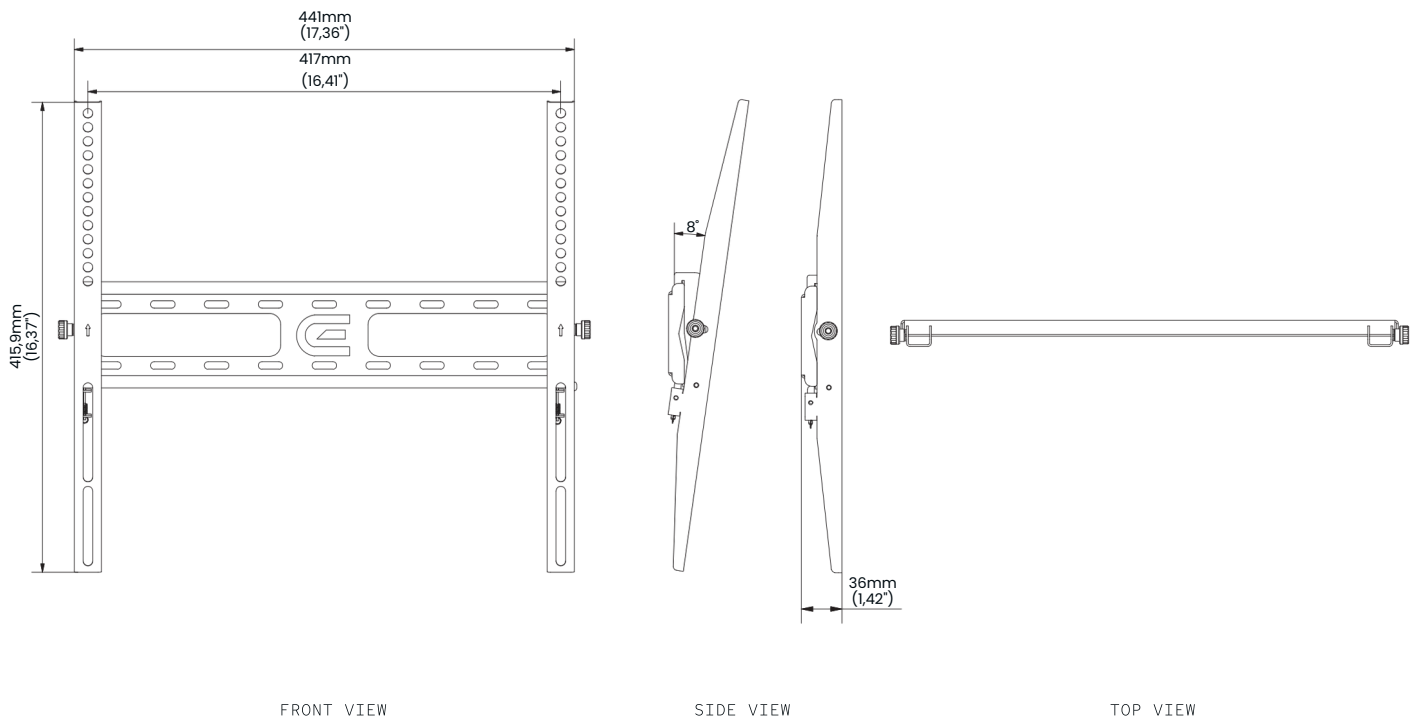


PRODUCT SPECIFICATIONS

Short index	FSM4040-T
Category	Tilt Wall Mounts
Product group	Display Mounts
Colour	Black
Warranty	Limited 5-years
Number of screens	1
Minimum screen size	32"
Maximum screen size	75"
Maximum load	30 kg
VESA Mounting Compatibility	100x100 up to 400x400

## TECHNICAL SPECIFICATIONS

Product dimensions	W: 441 mm D: 23 mm H: 420 mm (W:17,36" D:0,9" H:16,53")
Product weight	1 kg (2,2 lb)
Max. mounting pattern	400 mm x 400 mm
Min. mounting pattern	100 mm x 100 mm



## LOGISTICS DATA

SAP INDEX	EAN CODE	COLOUR	PACKAGE DIMENSIONS	PACKAGE WEIGHT
WUSC-FSM4040-T	5902841104433	BLACK	455 x 130 x 50mm 17,91 x 5,12 x 1,97"	1,2 kg 2,64 lb

HS Code (Harmonized System): 732690, HTS Code (Harmonized Tariff Schedule): 7326909890, Country of Origin: Poland