



INSTALLATION MANUAL

MD 102 Rack Mount Flat Panel Monitor and Keyboard Drawer



Ergotron USA 1-800-383-1916
Ergotron Europe +31 20 312.29.39

Read these instructions.

Läs broschyren.

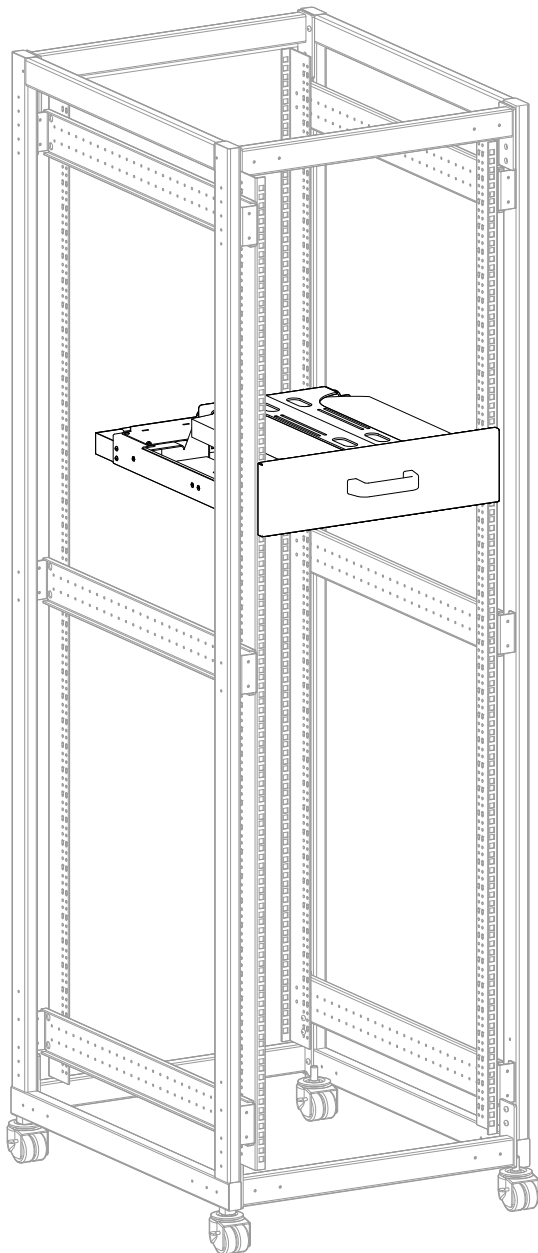
Lesen Sie Die Broschüre.

Lisez le dépliant.

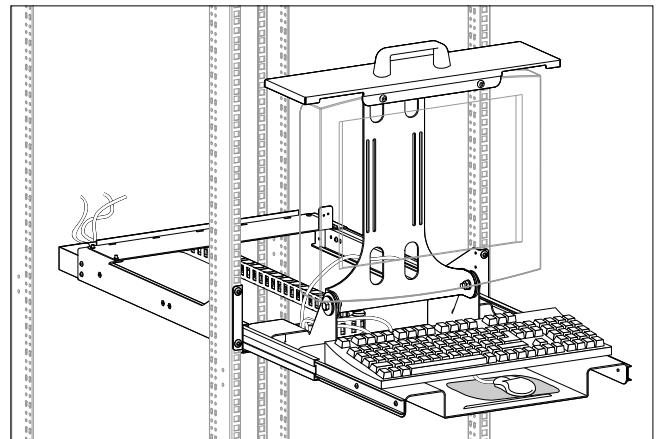
Lees de brochure.

Lee el folleto.

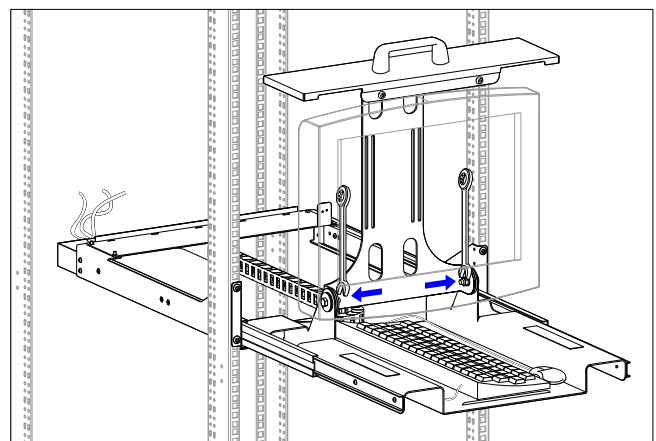
Leggi la brochure.



Assembly page 2-6

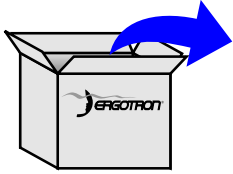


Cable Routing page 7

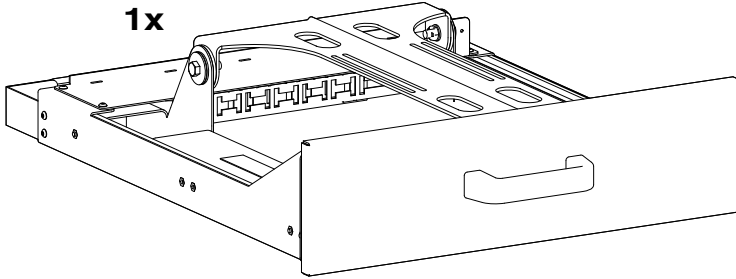


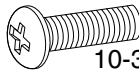
Adjustment page 8-9

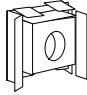
Replacement Parts page 9



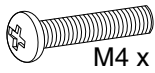
1x



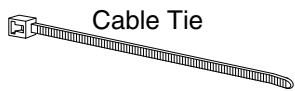
4x  10-32 x 1/2"

4x  Retainer Nut

4x  M4 x 10mm

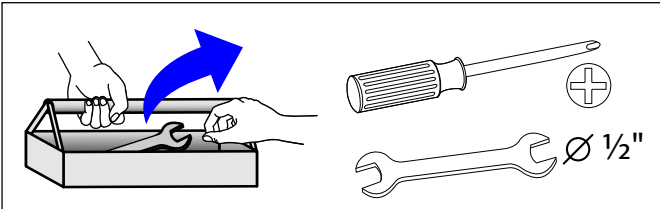
4x  M4 x 20mm

4x  Spacer

 Cable Tie

CAUTION

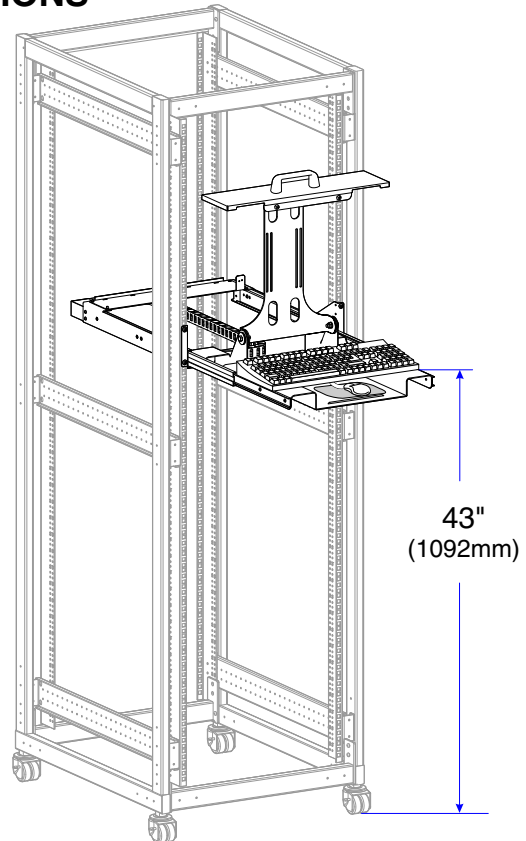
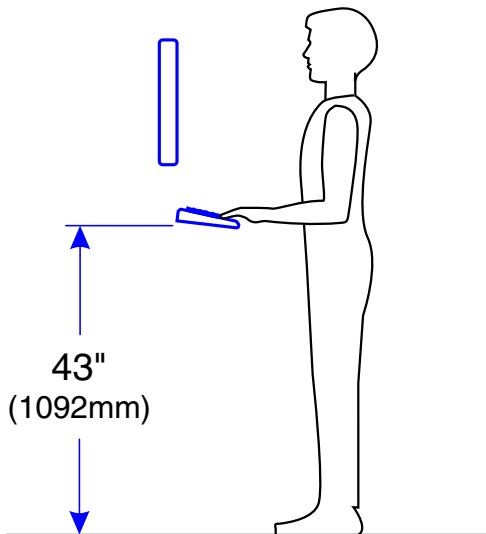
Do not make substitutions for components, fasteners or tools unless the Installation Manual specifically instructs you to do so.



1 MOUNTING HEIGHT RECOMMENDATIONS

Before proceeding with installation, plan carefully. Read through all steps first, and familiarize yourself with the following general guidelines.

Keyboard Height (from the floor)
Set the Keyboard at 43" (1092mm).



2

MOUNT DRAWER TO RACK

This manual covers two mounting options:

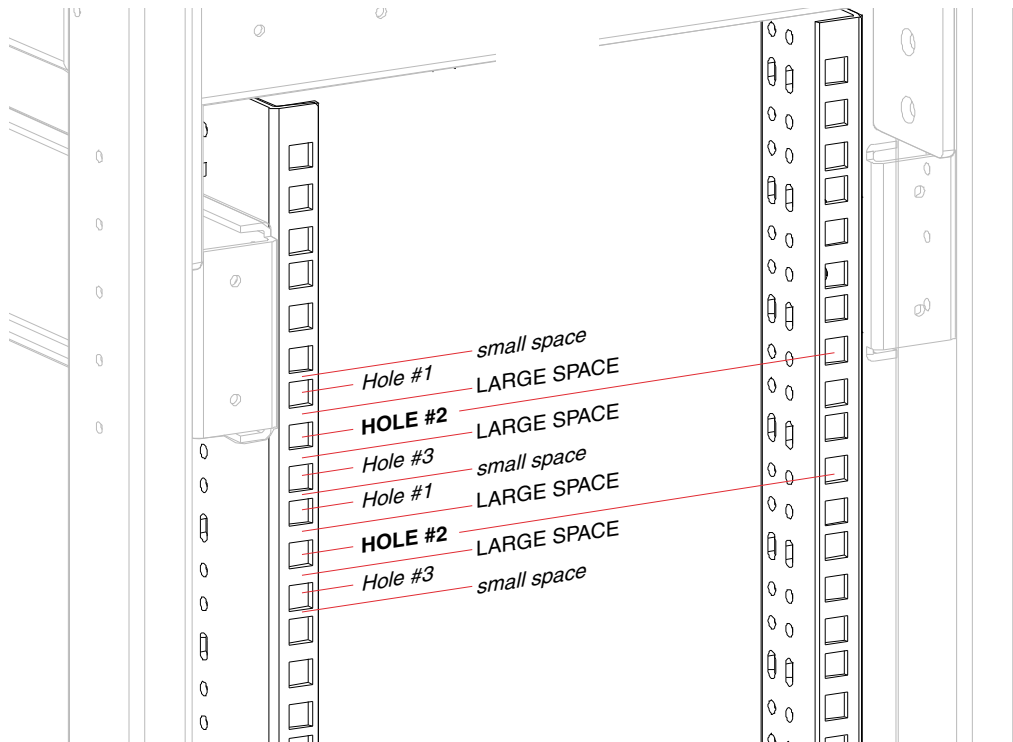
Option 1 - for Racks with tapped holes

Option 2 - for Racks with square holes

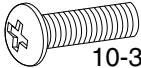
Choose the option that is appropriate for your Rack.

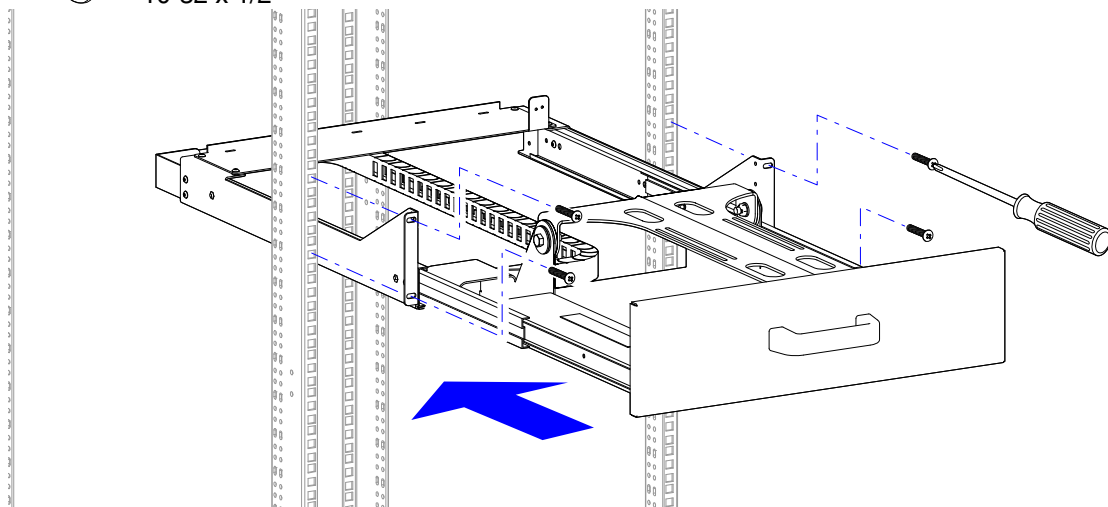
Mount the **Top Retainer Nuts** or screws into any **Hole #2**

Note: Make sure the component will mount level.



Option 1- Racks with tapped holes

4x  10-32 x 1/2"

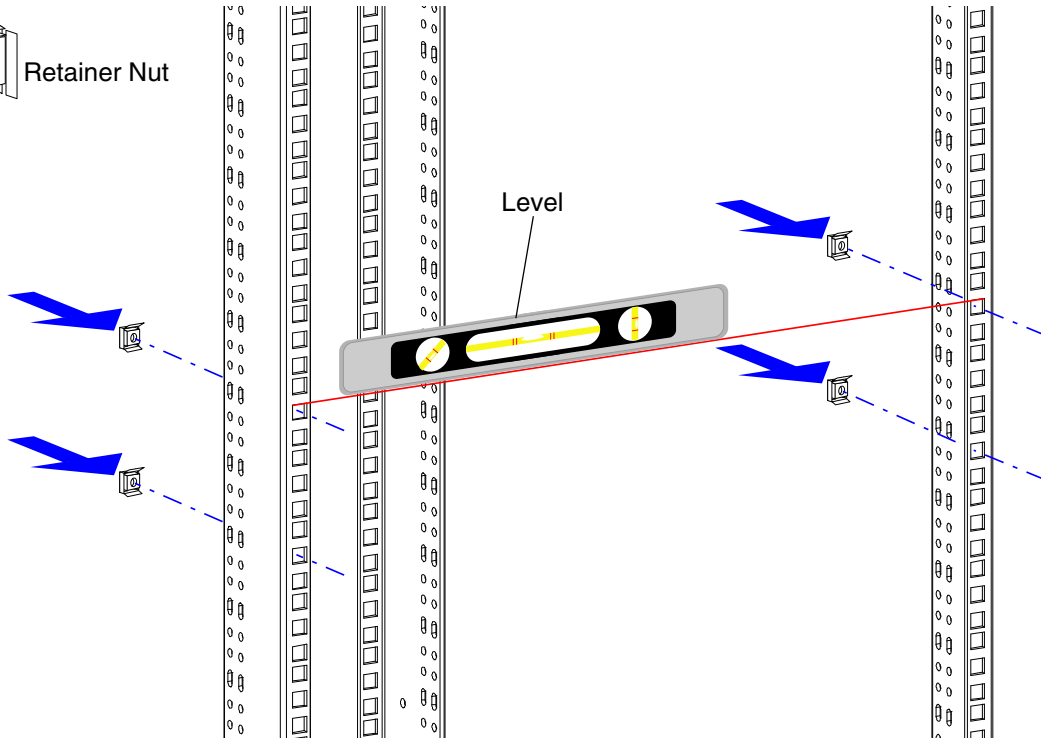


2

Option 2- Racks with square holes

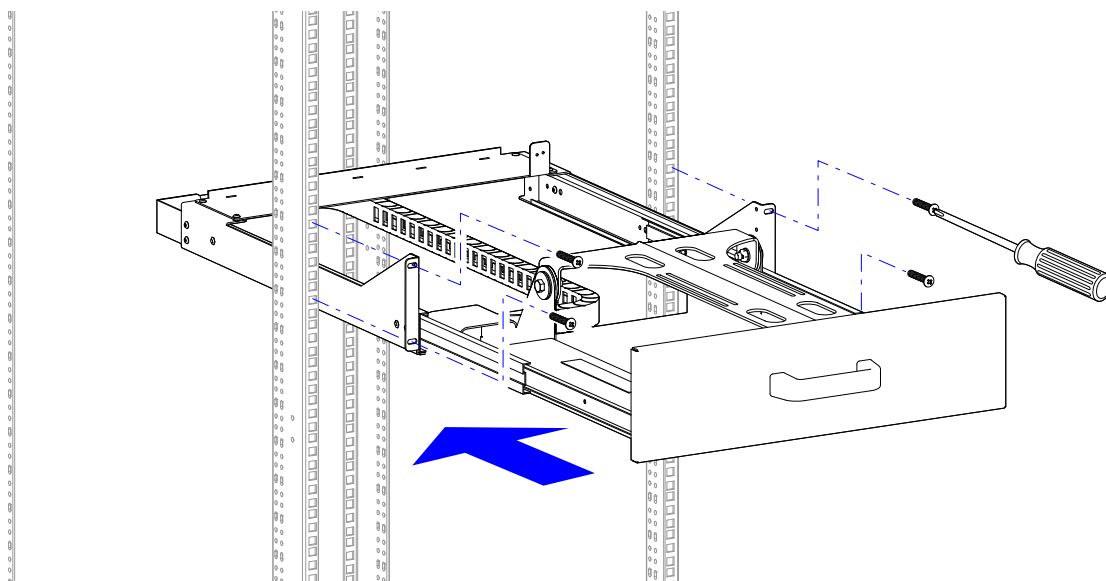
Insert Retainer Nuts from inside Vertical Rail as shown.
Make sure that Retainer Nuts are attached at the same heights to keep the Flat Panel Drawer level when mounted.

4x Retainer Nut

**2a**

Racks with square holes

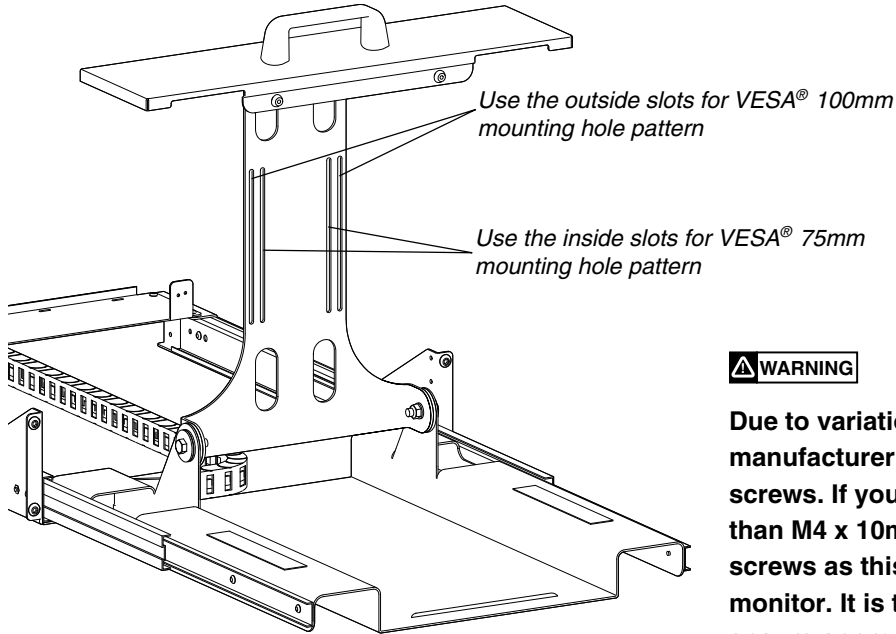
4x 10-32 x 1/2"

**2b**

3

MOUNT MONITOR

NOTE: If your monitor is not supplied with the VESA® FPMPMI™ Standard (75mm or 100mm) hole mounting pattern, contact your Ergotron representative.



⚠ WARNING

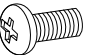
Due to variations in monitor design, the monitor manufacturer may supply other mounting screws. If your monitor uses a screw size other than M4 x 10mm, **DO NOT** use the M4 x 10mm screws as this could result in damage to the monitor. It is the customer's responsibility to ensure appropriate fasteners are used.

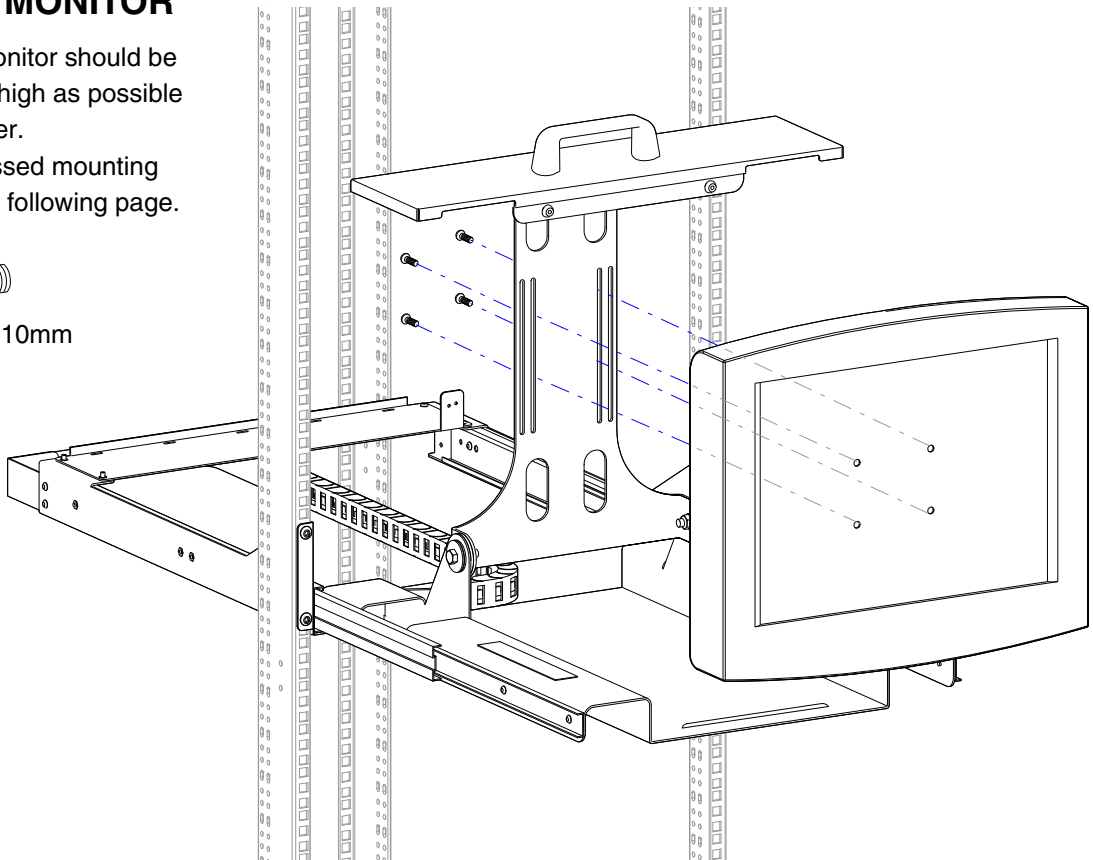
3

MOUNT MONITOR

NOTE: 1. Monitor should be mounted as high as possible on the Drawer.

2. For Recessed mounting surfaces, see following page.


4x 
M4 x 10mm



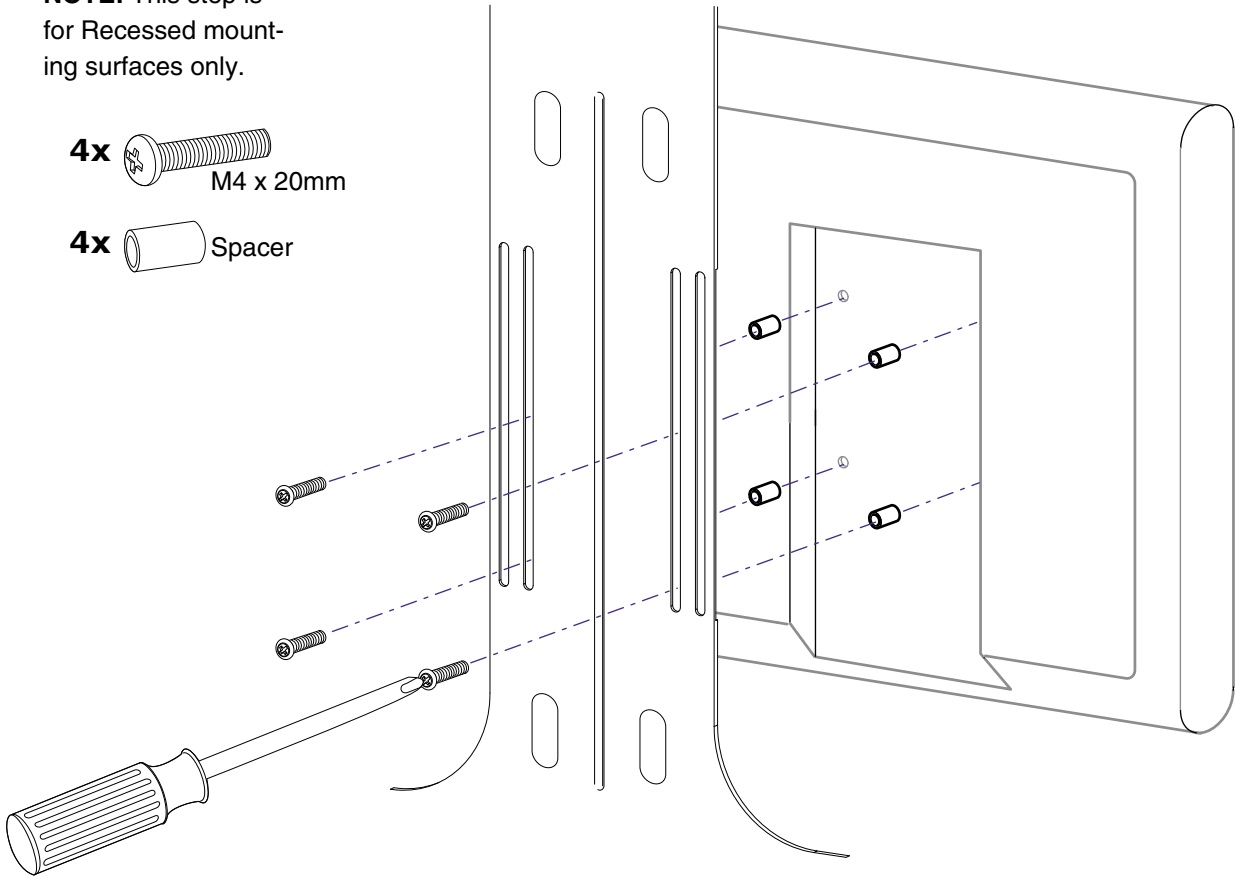
3

MOUNT MONITOR WITH RECESSED MOUNTING SURFACE

NOTE: This step is for Recessed mounting surfaces only.

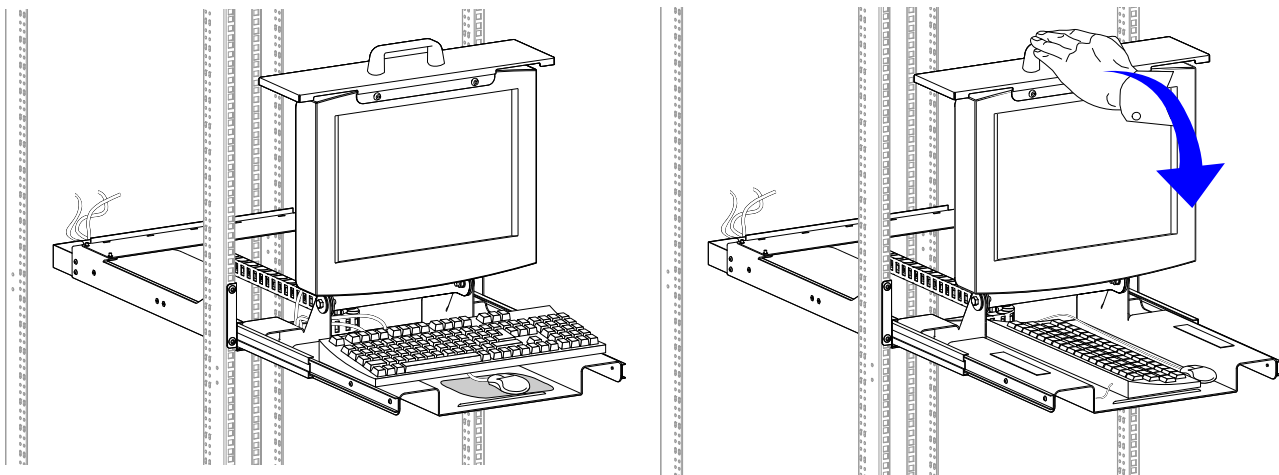
4x  M4 x 20mm

4x  Spacer



4

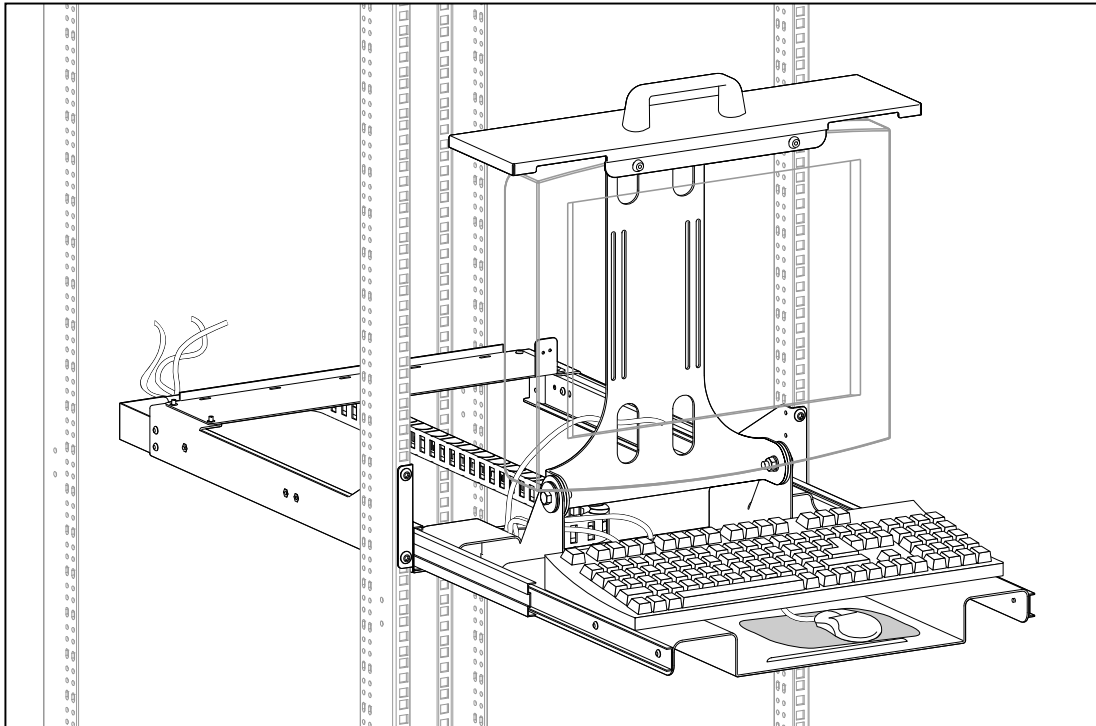
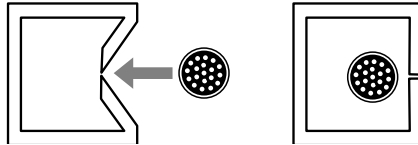
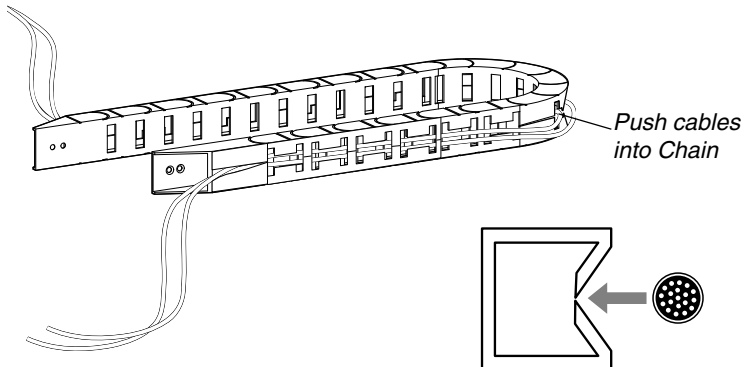
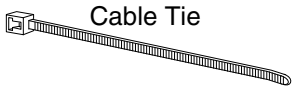
ADD KEYBOARD, MOUSE PAD AND MOUSE



5

CABLE ROUTING

Route all cables through the Cable Routing Chain by pushing the cable into the Chain as shown below. Leave enough slack for monitor to move through it's entire range of movement without restriction. Use Cable Ties at rear of Drawer to organize cables.

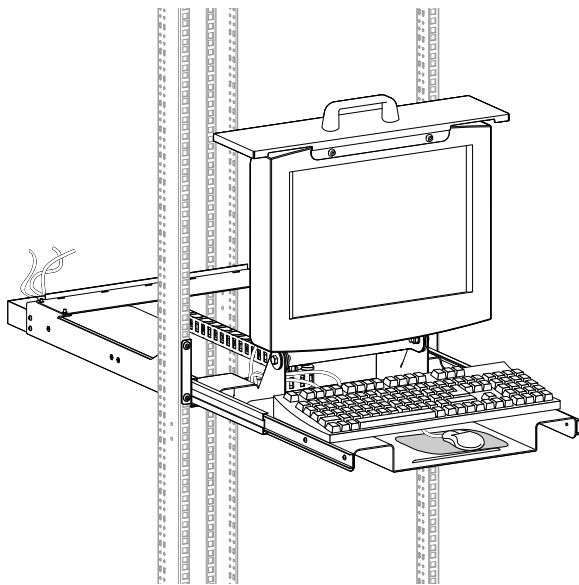


6**ADJUSTMENT • JUSTERING • JUSTIERUNG • AJUSTEMENT
BIJSTELLING • AJUSTE • REGOLAZIONE**

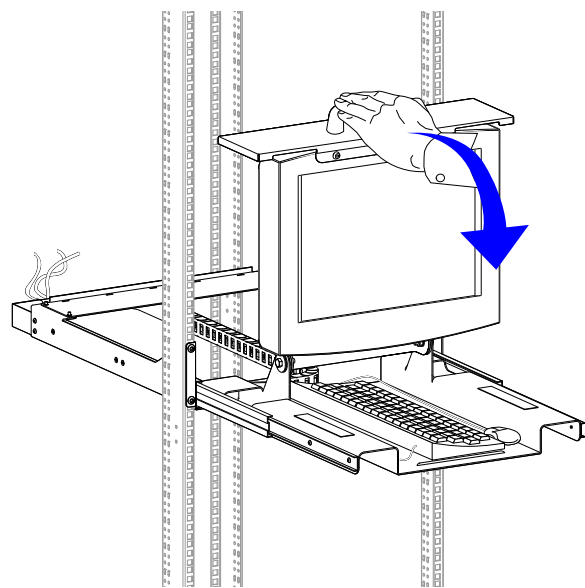
Move the Monitor Drawer through it's entire range of motion.

Ensure that cables do not impair movement of Drawer. Excess cables should be pulled toward the back and organized with the provided Cable Ties so they do not drag or catch during the operation of the Drawer.

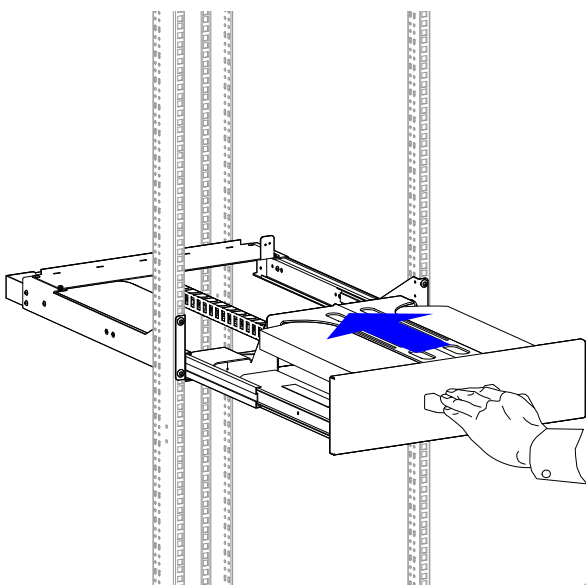
If excessive force is required to pivot the monitor open and closed, or if the monitor does not stay up properly, adjustment is required (see adjustment on following page).



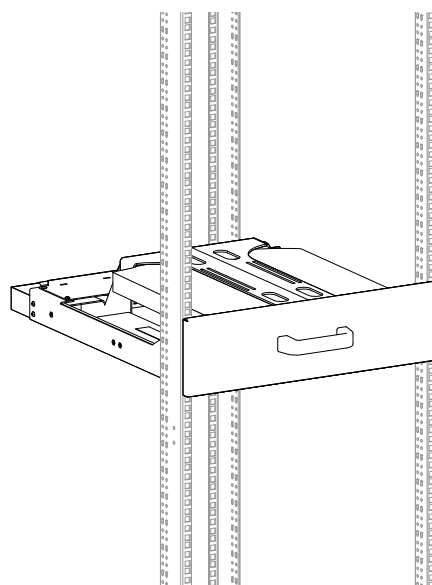
6a



6b

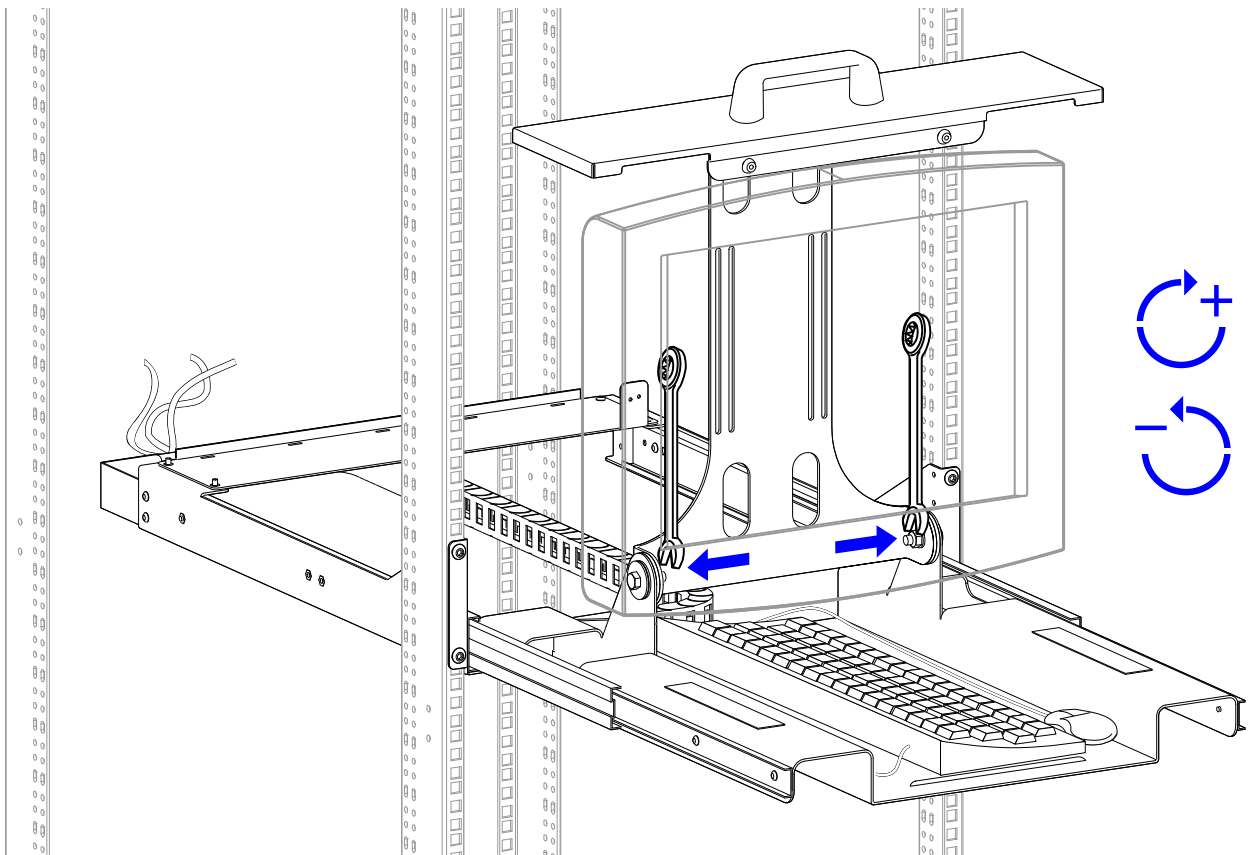
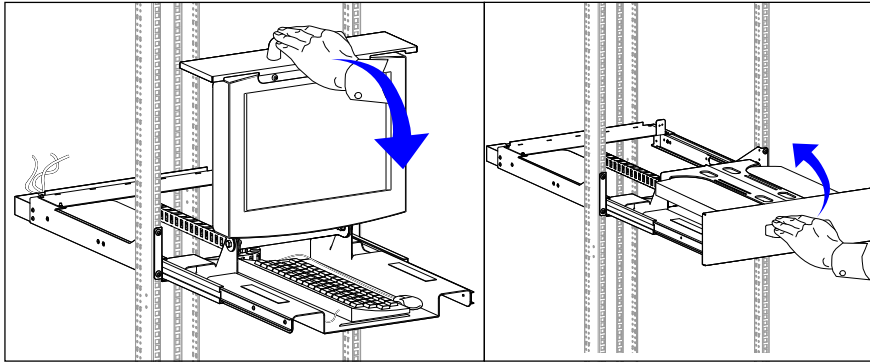


6c

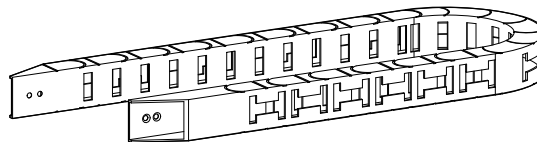


6d

**ADJUSTMENT • JUSTERING • JUSTIERUNG • AJUSTEMENT
BIJSTELLING • AJUSTE • REGOLAZIONE**



REPLACEMENT PARTS



Cable Routing Chain - 600-111



1181 Trapp Road • St. Paul, MN 55121
800-383-1916 • in MN: 651-681-7600
Fax: 651-681-7717 • www.ergotron.com

Patents Pending & Patented U.S. & Foreign.
Ergotron is a registered trademark of Ergotron, Inc.
Reproduction of this material in whole or part for any purpose other
than that authorized by Ergotron, Inc. is prohibited.
© 2001 Ergotron Inc. All rights reserved.