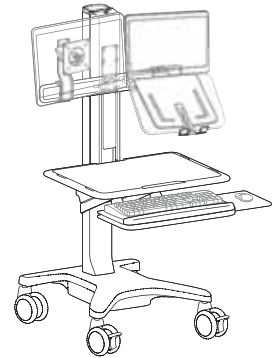
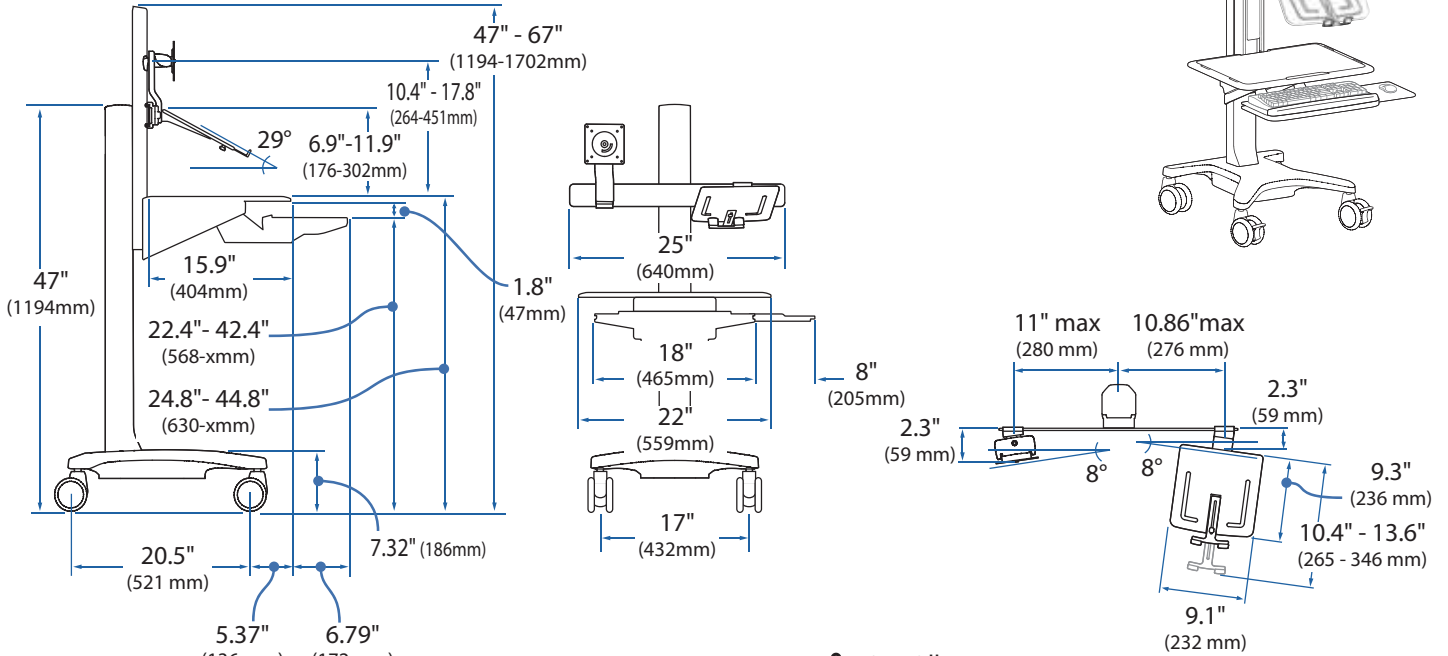


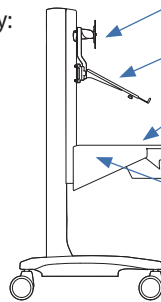
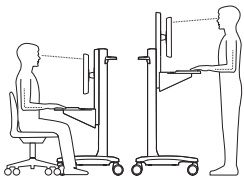
# Ergotron®

## WorkFit C-Mod, Combo

### Dimensional & Range of Motion Illustrations

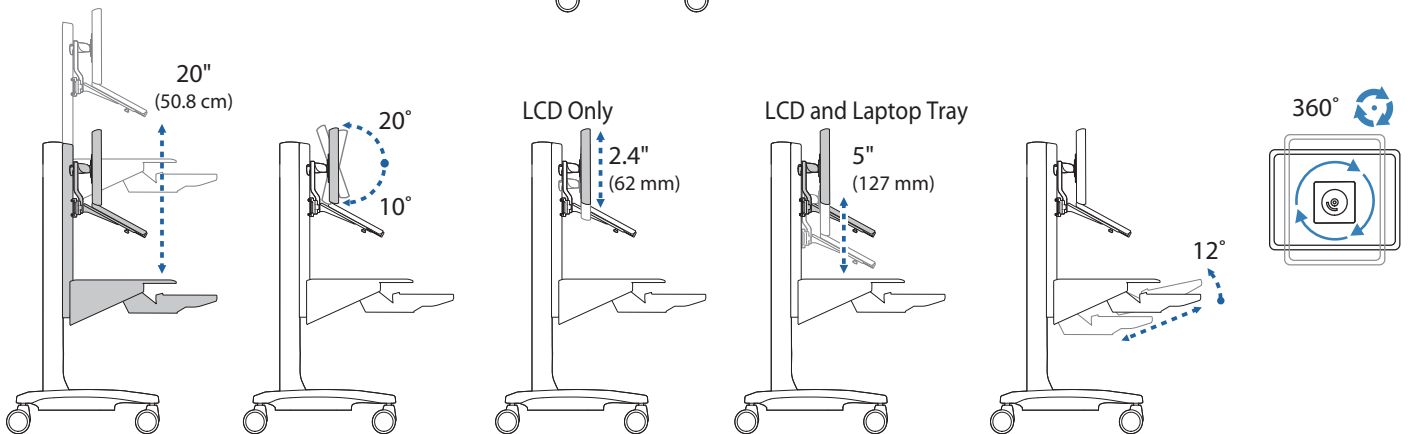


#### Weight Capacity:



- A<sub>1</sub>** 6 - 16 lbs (2.7 - 7.2 kg)
- A<sub>2</sub>** 6 - 10 lbs (2.7 - 4.5 kg)
- B** ≤ 5 lbs (2.27 kg)
- C** ≤ 2 lbs (0.9 kg)
- D** ≤ 2 lbs (0.9 kg)

**A+B+C+D ≤ 37 lbs (16.78 kg)**



© 2009 Ergotron, Inc. rev. 08/10/2009 DIM-WorkFit C-Mod Content is subject to change without notification

Americas Sales and Corporate Headquarters	EMEA Sales	APAC Sales	Worldwide OEM Sales
St. Paul, MN USA (800) 888-8458 +1-651-681-7600 www.ergotron.com sales@ergotron.com	Amersfoort, The Netherlands +31 33 45 45 600 www.ergotron.com info.eu@ergotron.com	Tokyo, Japan www.ergotron.com info.apac@ergotron.com	www.ergotron.com info.oem@ergotron.com

