

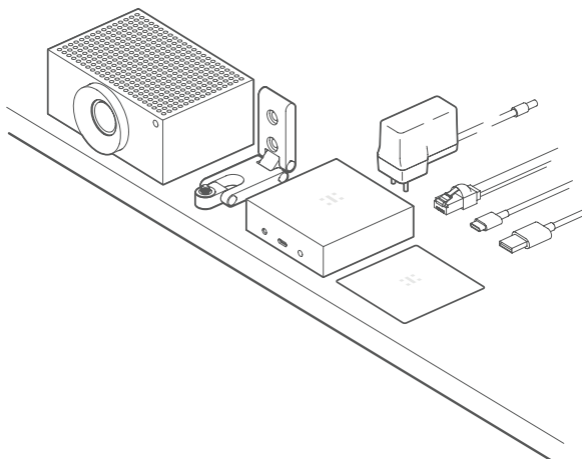
Huddly L1 Setup

Start here →

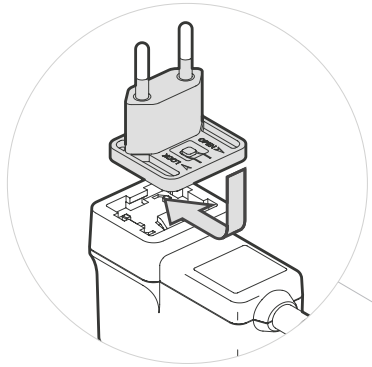
To finish the
setup visit :

huddly.com/L1/setup

1. Overview

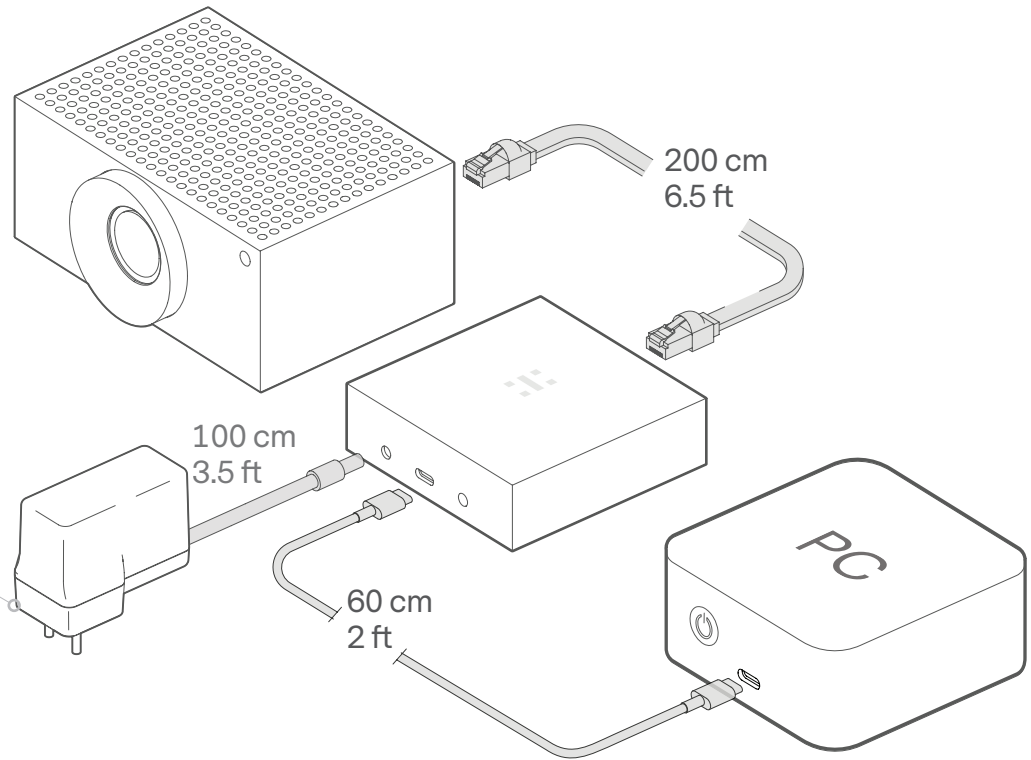


2. Regional Power Plug

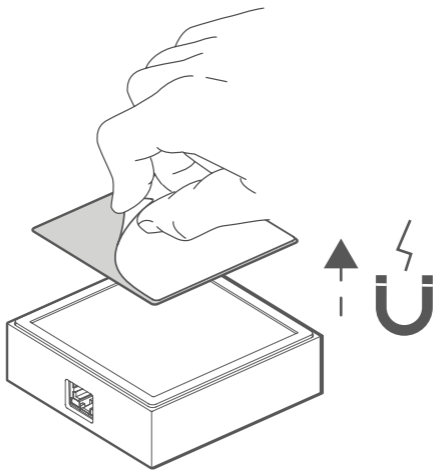


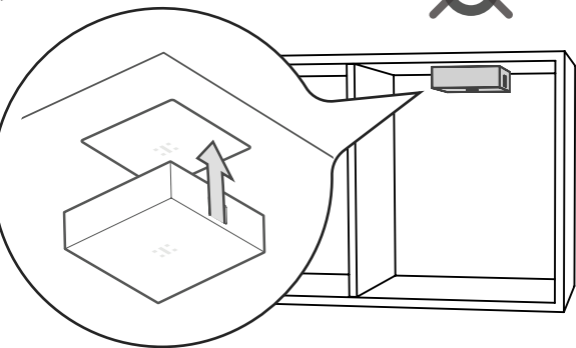
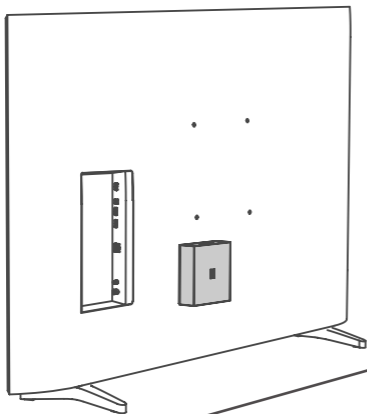
Make sure to use the correct electrical plug for your region. Four (4) alternatives are included with this product. Please consult the "Product and Compliance Information" document at huddly.com/L1/compliance to determine the correct one for you.

3. Connection

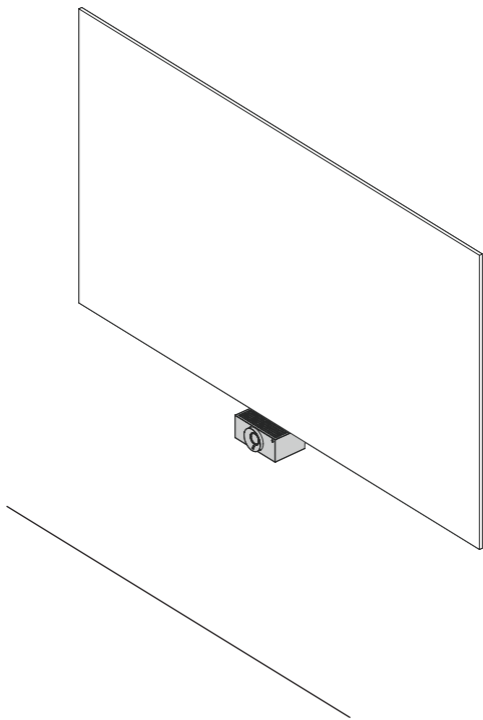


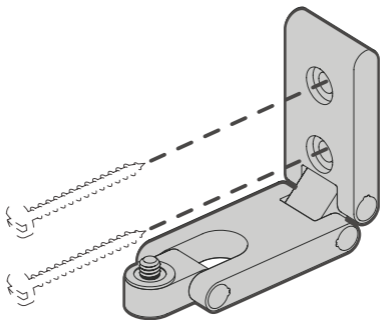
4. Adapter Mounting





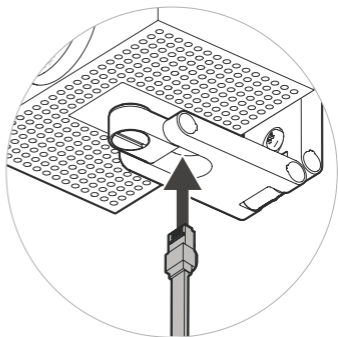
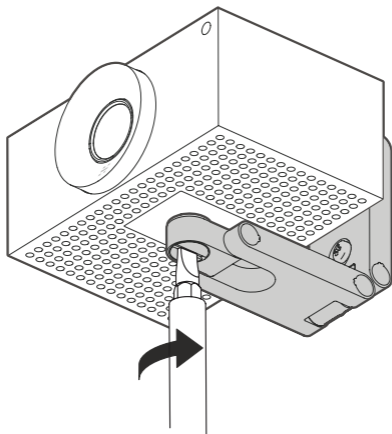
5a. Wall Mounting



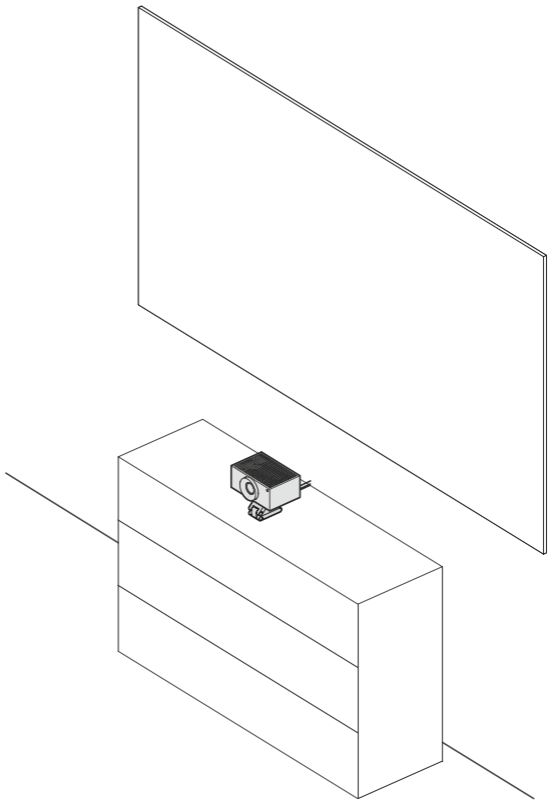


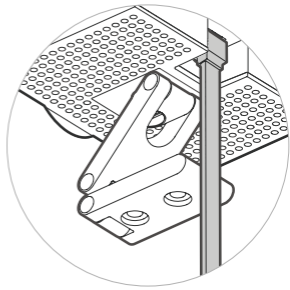
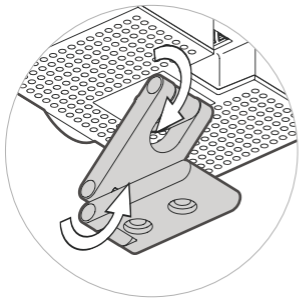
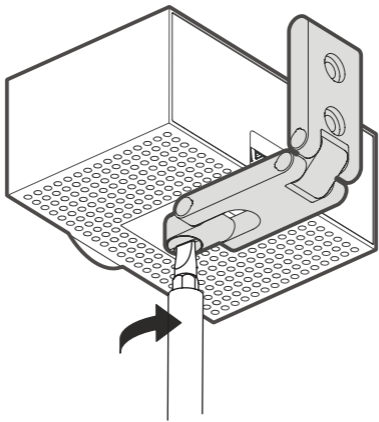
5 mm
#10





5b. Shelf Mounting





6. Finish the Setup

Almost there!
To finish the
setup visit :

[huddly.com/
L1/setup](http://huddly.com/L1/setup)

For regulatory compliance information
and other information that might be
relevant for usage of this product in
your country, please visit:
www.huddly.com/L1/compliance

Valid for H3AC and H3BA
Quick Start Guide
HD-PGDE-0109-A1